



# System 30™

Detail Book

MJ Library Shelving by





MJ Library Shelving by Aurora was founded in 1988 with the goal of becoming the best manufacturer of steel cantilever library shelving on the market. The flagship line, System 30™, developed decades ago, is renowned for its popularity in public, education, legal, and corporate library installations across the US and Canada.

Its versatile design features consistent high quality material and superior fit and finish making it the storage solution of choice for today's libraries.

A full line of accessories such as shelves, work surfaces, and media display units for CDs, DVDs, periodicals, and new books make this a very adaptable system. Speciality items such as carts, concealed caster carts, and curved shelving round out the System 30 Shelving line.

Call **Aurora Storage Products** today for questions about System 30 Shelving or to help with your shelving and storage needs.

# Table of Contents

Backstop.....	20
Bag Rack.....	26
Basic Components.....	5
Brackets for Wood Tops/Ends.....	30
Browsing Boxes.....	24-25
Canopy Tops.....	27
Closed Backs.....	30
Column Assemblies.....	14-17
Column Extenders.....	31
Cross Bars.....	18
Display System.....	26
Divider Shelves / Dividers.....	20
Divider Units.....	10-11
Double Tier Cassette Shelf.....	22
End Brackets.....	33
End Panels.....	28-29
Fillers.....	31
Findable Book Supports.....	32
Fixed Periodical Units.....	13
Hinged Periodical Units.....	12
Integral Back Units.....	6-9
Introduction to System 30.....	4
Kick Plates.....	18
Multi-Media Cabinet / Trays.....	23
Multi-Media Display Shelf.....	22
Periodical Shelves.....	20-21
Shelves.....	19
Sliding Reference Shelves.....	21
Sliding Door Cabinet.....	22
Sliding Wire Book Supports.....	32
Terms and Conditions.....	34
Tip-Up Periodical Cabinet.....	21
Top Tie Struts.....	33
Wall Column Strips.....	32
Zig Zag Display.....	26





## Some of the advantages of System 30™ versus conventional shelving are:

---

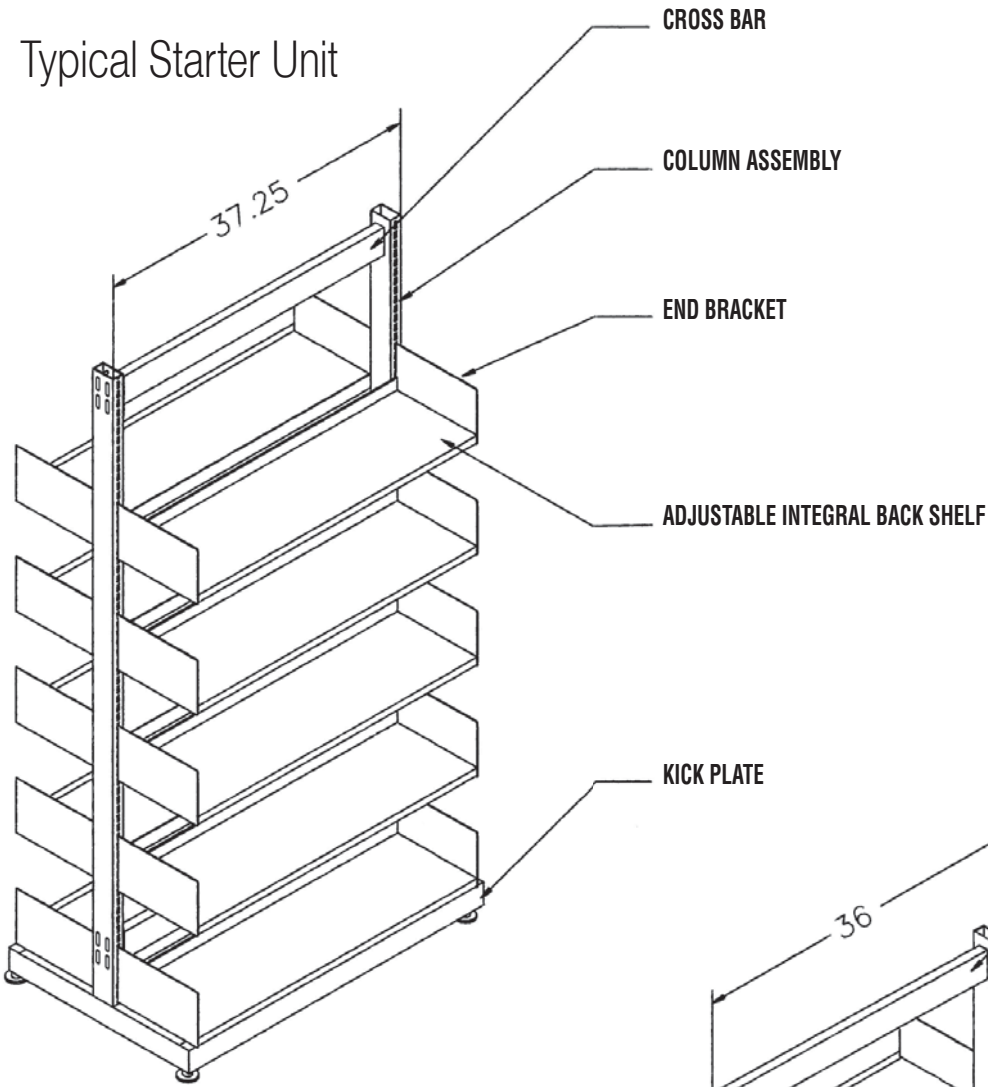
1. More filing space per shelf.
2. Modern / contemporary look of our end brackets and columns eliminates the need for end panels.
3. More usable floor space as the base depth can be the same size as the shelves above.
4. Units can be converted from closed to open base without purchasing additional parts or dismantling the shelving.
5. Accessories and components to meet the needs of today's library can be easily mixed and matched on any section.
6. Our state-of-the-art powder-coat paint system provides you with the most durable paint finish in the industry.
7. Special colors can be matched to please even the most discriminating eye.
8. On time delivery. Most deliveries can be made in eight to ten weeks after receipt of order.
9. All this and you still get the quality that has become synonymous with MJ Library Shelving by Aurora.

We have a nationwide sales organization which is fully trained to assist you with your library planning.

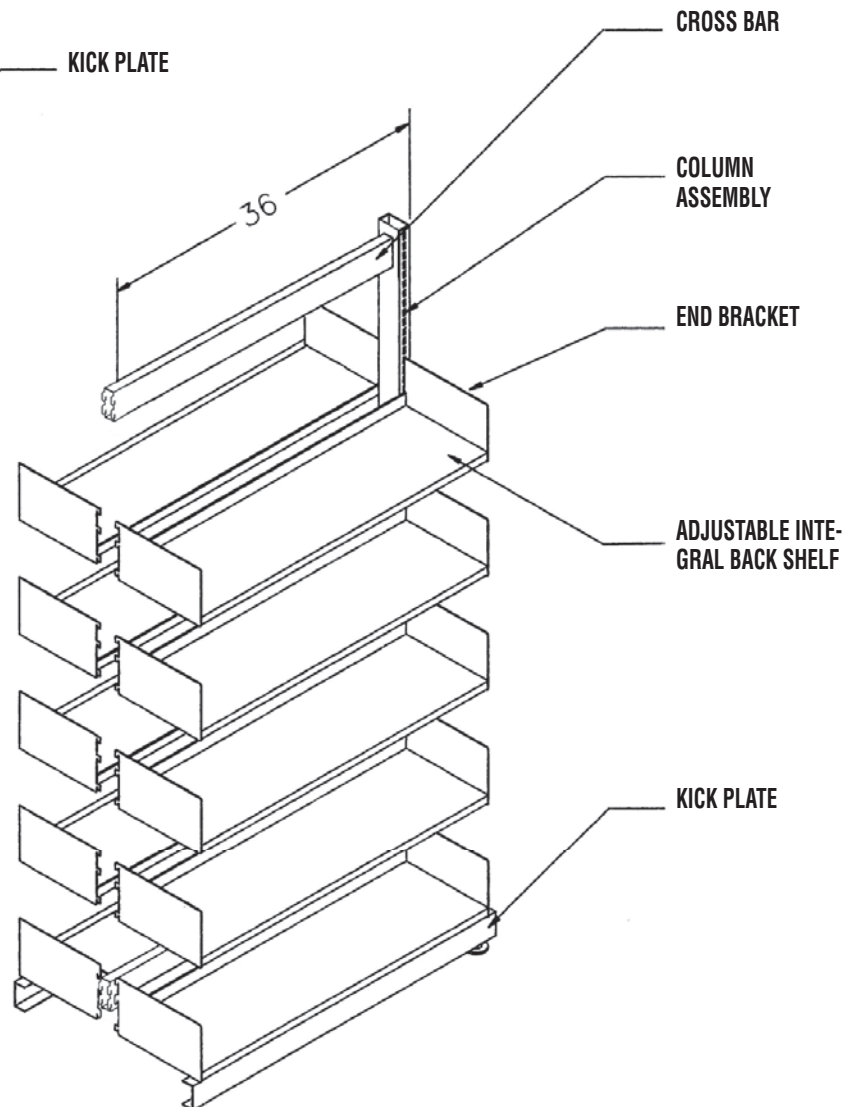
Please contact MJ Library Shelving by Aurora:  
**1-800-277-1699** for the name and phone number of your local representative.

# Basic Components

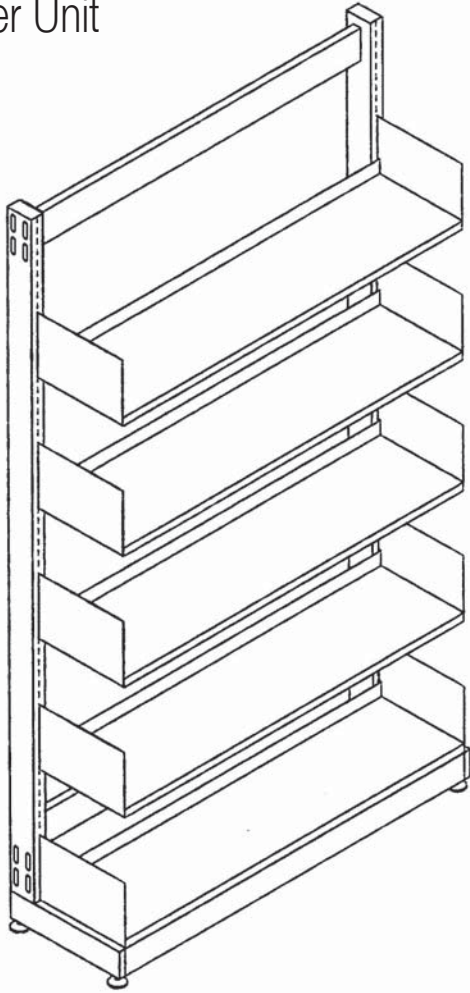
Typical Starter Unit



Typical Adder Unit



## Starter Unit



## Integral Back Shelves Single Face Units

### 3 Adjustable Shelves – 42" High

CATALOG NO.	SHELF	WEIGHT
S3-36090942-S	9	51
S3-36090942-A	9	43½
S3-36101042-S	10	53½
S3-36101042-A	10	45½
S3-36111142-S	11	55
S3-36111142-A	11	47
S3-36131342-S	13	60½
S3-36131342-A	13	52
S3-36171742-S	17	69
S3-36171742-A	17	60

### 4 Adjustable Shelves – 60" High

CATALOG NO.	SHELF	WEIGHT
S3-36090960-S	9	65½
S3-36090960-A	9	54½
S3-36101060-S	10	68½
S3-36101060-A	10	57
S3-36111160-S	11	70½
S3-36111160-A	11	59
S3-36131360-S	13	77½
S3-36131360-A	13	65½
S3-36171760-S	17	88½
S3-36171760-A	17	76

### 5 Adjustable Shelves – 66" High

CATALOG NO.	SHELF	WEIGHT
S3-36090966-S	9	73
S3-36090966-A	9	62
S3-36101066-S	10	77½
S3-36101066-A	10	65½
S3-36111166-S	11	80
S3-36111166-A	11	68
S3-36131366-S	13	88½
S3-36131366-A	13	76
S3-36171766-S	17	102
S3-36171766-A	17	89

Starter unit includes two column assemblies, cross bars, kick plate, integral back shelves, and end brackets. Adder unit is the same as a starter except it includes only one column assembly. All shelf sizes are nominal.

**Book supports must be ordered separately.**

# Integral Back Shelves (Continued)

## 5 Adjustable Shelves – 72" High

CATALOG NO.	SHELF	WEIGHT
S3-36090972-S	9	77
S3-36090972-A	9	64
S3-36101072-S	10	80 <sup>1</sup> / <sub>2</sub>
S3-36101072-A	10	67
S3-36111172-S	11	83
S3-36111172-A	11	69 <sup>1</sup> / <sub>2</sub>
S3-36131372-S	13	91 <sup>1</sup> / <sub>2</sub>
S3-36131372-A	13	77 <sup>1</sup> / <sub>2</sub>
S3-36171772-S	17	105
S3-36171772-A	17	90 <sup>1</sup> / <sub>2</sub>

## 6 Adjustable Shelves – 78" High

CATALOG NO.	SHELF	WEIGHT
S3-36090978-S	9	85 <sup>1</sup> / <sub>2</sub>
S3-36090978-A	9	72
S3-36101078-S	10	89 <sup>1</sup> / <sub>2</sub>
S3-36101078-A	10	75 <sup>1</sup> / <sub>2</sub>
S3-36111178-S	11	92 <sup>1</sup> / <sub>2</sub>
S3-36111178-A	11	78 <sup>1</sup> / <sub>2</sub>
S3-36131378-S	13	102 <sup>1</sup> / <sub>2</sub>
S3-36131378-A	13	88
S3-36171778-S	17	118 <sup>1</sup> / <sub>2</sub>
S3-36171778-A	17	103 <sup>1</sup> / <sub>2</sub>

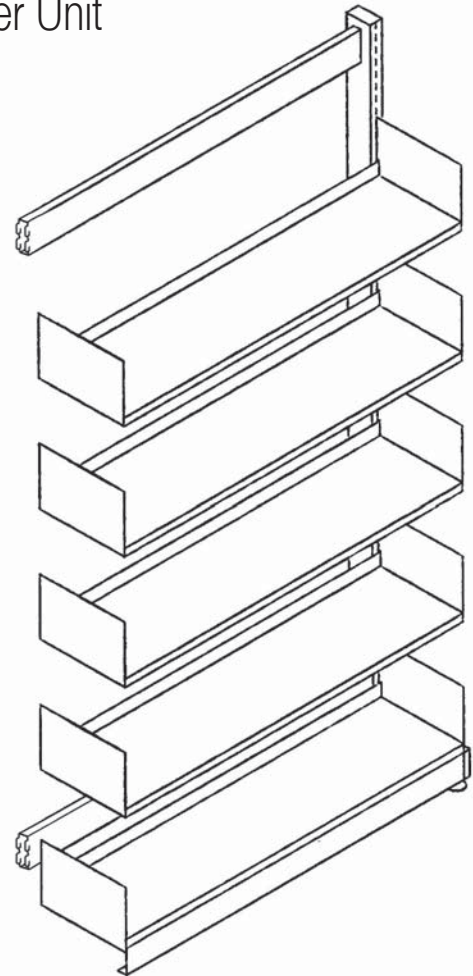
## 7 Adjustable Shelves – 84" High

CATALOG NO.	SHELF	WEIGHT
S3-36090984-S	9	94
S3-36090984-A	9	80
S3-36101084-S	10	98 <sup>1</sup> / <sub>2</sub>
S3-36101084-A	10	84
S3-36111184-S	11	102
S3-36111184-A	11	87 <sup>1</sup> / <sub>2</sub>
S3-36131384-S	13	113 <sup>1</sup> / <sub>2</sub>
S3-36131384-A	13	98 <sup>1</sup> / <sub>2</sub>
S3-36171784-S	17	132
S3-36171784-A	17	116 <sup>1</sup> / <sub>2</sub>

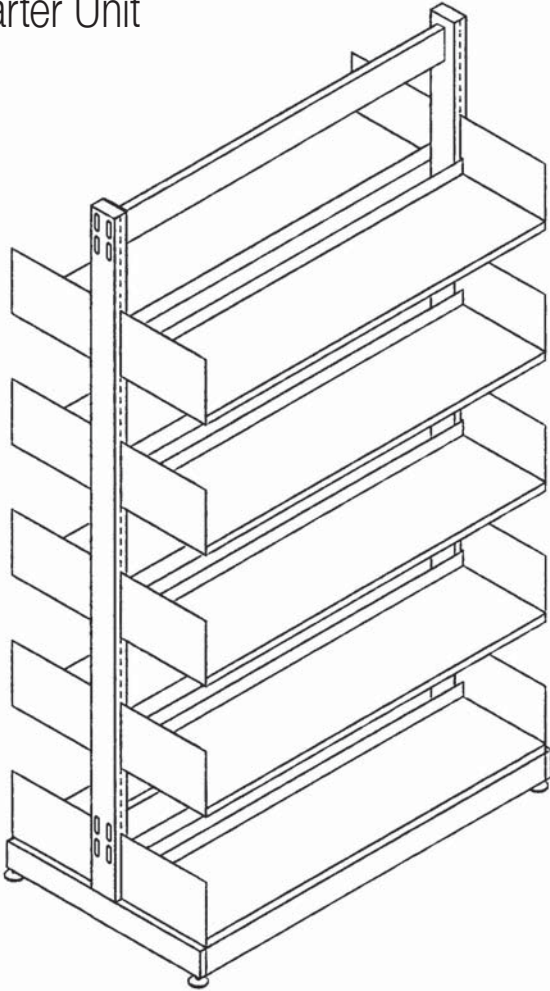
## 7 Adjustable Shelves – 90" High

CATALOG NO.	SHELF	WEIGHT
S3-36090990-S	9	96
S3-36090990-A	9	81
S3-36101090-S	10	102 <sup>1</sup> / <sub>2</sub>
S3-36101090-A	10	85
S3-36111190-S	11	104
S3-36111190-A	11	88 <sup>1</sup> / <sub>2</sub>
S3-36131390-S	13	115 <sup>1</sup> / <sub>2</sub>
S3-36131390-A	13	99 <sup>1</sup> / <sub>2</sub>
S3-36171790-S	17	134
S3-36171790-A	17	117 <sup>1</sup> / <sub>2</sub>

Adder Unit



## Starter Unit



## Integral Back Shelves Double Face Units

### 6 Adjustable Shelves – 42" High

CATALOG NO.	SHELF	WEIGHT
S3-36091842-S	9	78
S3-36091842-A	9	69
S3-36102042-S	10	82
S3-36102042-A	10	72½
S3-36112242-S	11	86
S3-36112242-A	11	76
S3-36132642-S	13	96
S3-36132642-A	13	85½
S3-36173442-S	17	113
S3-36173442-A	17	101½

### 8 Adjustable Shelves – 60" High

CATALOG NO.	SHELF	WEIGHT
S3-36091860-S	9	101
S3-36091860-A	9	88
S3-36102060-S	10	106
S3-36102060-A	10	92½
S3-36112260-S	11	111
S3-36112260-A	11	97
S3-36132660-S	13	124
S3-36132660-A	13	109½
S3-36173460-S	17	146
S3-36173460-A	17	130½

### 10 Adjustable Shelves – 66" High

CATALOG NO.	SHELF	WEIGHT
S3-36091866-S	9	118
S3-36091866-A	9	104
S3-36102066-S	10	124
S3-36102066-A	10	109½
S3-36112266-S	11	130
S3-36112266-A	11	115
S3-36132666-S	13	146
S3-36132666-A	13	130½
S3-36173466-S	17	173
S3-36173466-A	17	156½

Starter unit includes two column assemblies, cross bars, kick plate, integral back shelves, and end brackets. Adder unit is the same as a starter except it includes only one column assembly. All shelf sizes are nominal.

**Book supports must be ordered separately.**

# Integral Back Shelves (Continued)

## 10 Adjustable Shelves – 72" High

CATALOG NO.	SHELF	WEIGHT
S3-36091872-S	9	119
S3-36091872-A	9	104½
S3-36102072-S	10	125
S3-36102072-A	10	110
S3-36112272-S	11	131
S3-36112272-A	11	115½
S3-36132672-S	13	147
S3-36132672-A	13	131
S3-36173472-S	17	174
S3-36173472-A	17	157

## 12 Adjustable Shelves – 78" High

CATALOG NO.	SHELF	WEIGHT
S3-36091878-S	9	135
S3-36091878-A	9	120
S3-36102078-S	10	142
S3-36102078-A	10	126½
S3-36112278-S	11	149
S3-36112278-A	11	133
S3-36132678-S	13	168
S3-36132678-A	13	151½
S3-36173478-S	17	200
S3-36173478-A	17	182½

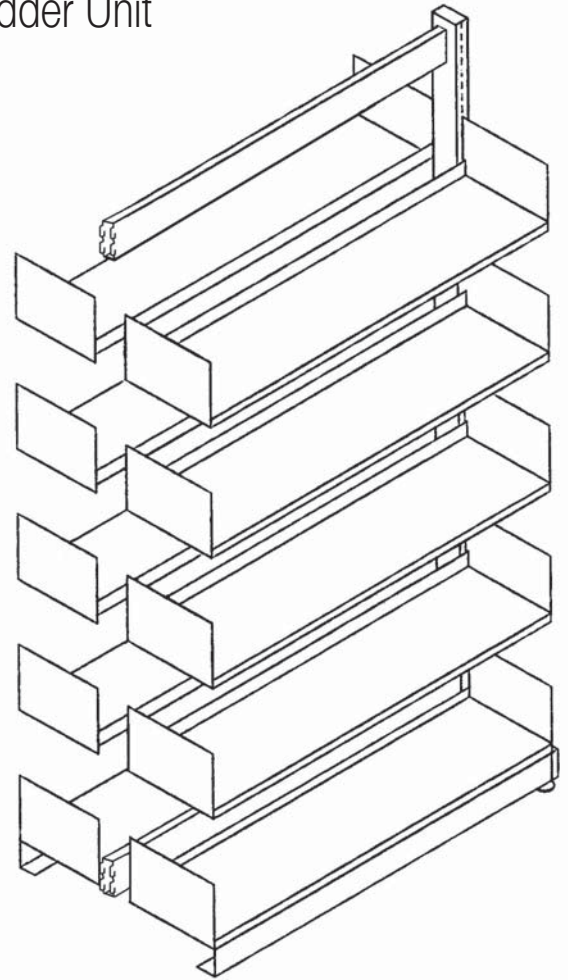
## 14 Adjustable Shelves – 84" High

CATALOG NO.	SHELF	WEIGHT
S3-36091884-S	9	152
S3-36091884-A	9	136
S3-36102084-S	10	160
S3-36102084-A	10	143½
S3-36112284-S	11	167
S3-36112284-A	11	150½
S3-36132684-S	13	189
S3-36132684-A	13	172
S3-36173484-S	17	227
S3-36173484-A	17	208½

## 14 Adjustable Shelves – 90" High

CATALOG NO.	SHELF	WEIGHT
S3-36091890-S	9	153
S3-36091890-A	9	136½
S3-36102090-S	10	161
S3-36102090-A	10	144
S3-36112290-S	11	169
S3-36112290-A	11	151½
S3-36132690-S	13	191
S3-36132690-A	13	173
S3-36173490-S	17	228
S3-36173490-A	17	209

Adder Unit



# System 30®

## Single Face Divider Units

### 3 Divider Shelves – 42" High

CATALOG NO.	SHELF	WEIGHT
S3-D36101042-S	10	81
S3-D36101042-A	10	73
S3-D36131342-S	13	91
S3-D36131342-A	13	82½

### 4 Divider Shelves – 60" High

CATALOG NO.	SHELF	WEIGHT
S3-D36101060-S	10	105
S3-D36101060-A	10	93½
S3-D36131360-S	13	118
S3-D36131360-A	13	106

### 5 Divider Shelves – 66" High

CATALOG NO.	SHELF	WEIGHT
S3-D36101066-S	10	123
S3-D36101066-A	10	111
S3-D36131366-S	13	139
S3-D36131366-A	13	126½

### 6 Divider Shelves – 78" High

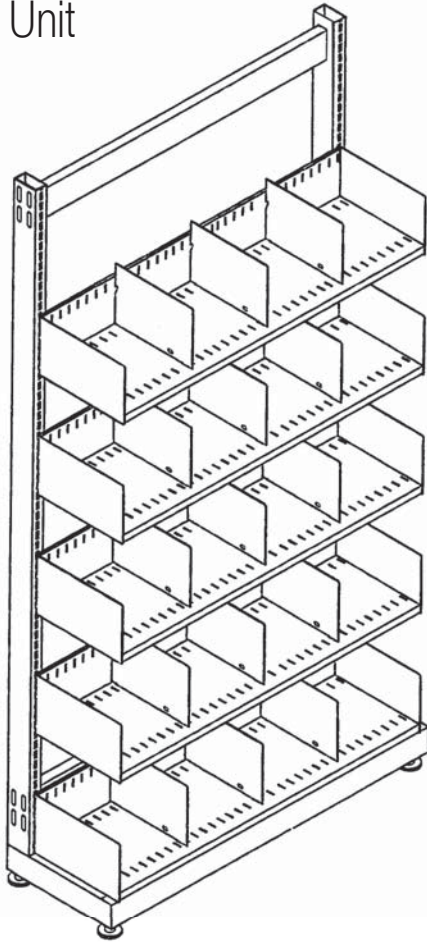
CATALOG NO.	SHELF	WEIGHT
S3-D36101078-S	10	144
S3-D36101078-A	10	130
S3-D36131378-S	13	163
S3-D36131378-A	13	148½

### 7 Divider Shelves – 90" High

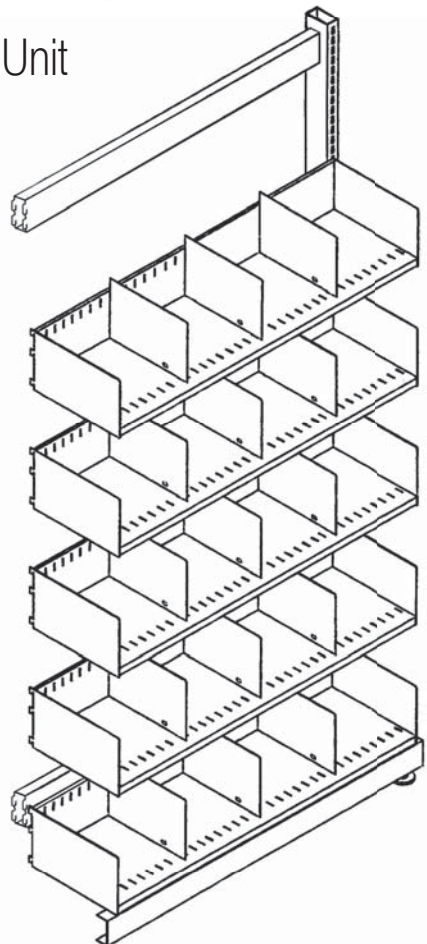
CATALOG NO.	SHELF	WEIGHT
S3-D36101090-S	10	164
S3-D36101090-A	10	148½
S3-D36131390-S	13	186
S3-D36131390-A	13	170

Starter unit includes two column assemblies, cross bars, kick plate, divider shelf with three dividers per shelf, and end brackets. Adder unit is the same as a starter except it includes only one column assembly. All shelf sizes are nominal.

Starter Unit



Adder Unit



## Double Face Divider Units

### 6 Divider Shelves – 42" High

CATALOG NO.	SHELF	WEIGHT
S3-D36102042-S	10	136
S3-D36102042-A	10	126½
S3-D36132642-S	13	156
S3-D36132642-A	13	145½

### 8 Divider Shelves – 60" High

CATALOG NO.	SHELF	WEIGHT
S3-D36102060-S	10	178
S3-D36102060-A	10	164½
S3-D36132660-S	13	204
S3-D36132660-A	13	189½

### 10 Divider Shelves – 66" High

CATALOG NO.	SHELF	WEIGHT
S3-D36102066-S	10	214
S3-D36102066-A	10	199½
S3-D36132666-S	13	246
S3-D36132666-A	13	230½

### 12 Divider Shelves – 78" High

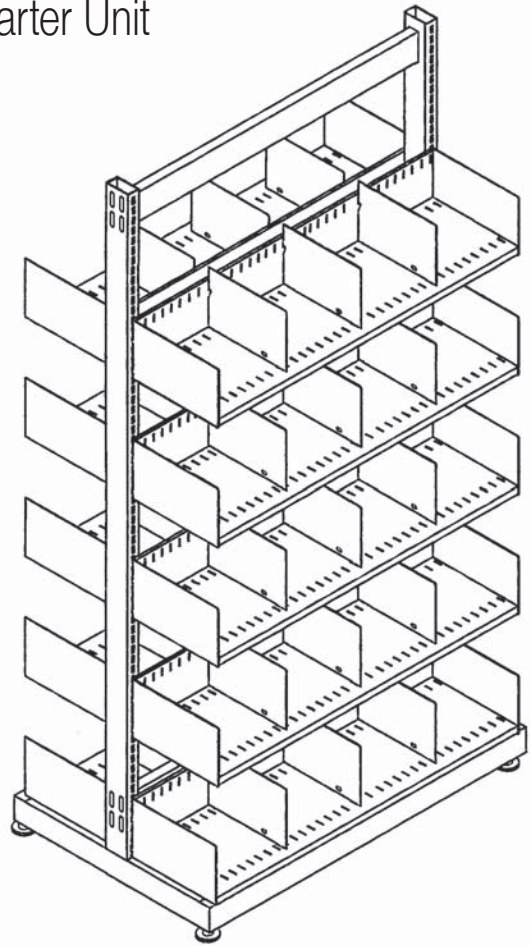
CATALOG NO.	SHELF	WEIGHT
S3-D36102078-S	10	250
S3-D36102078-A	10	234½
S3-D36132678-S	13	288
S3-D36132678-A	13	271½

### 14 Divider Shelves – 90" High

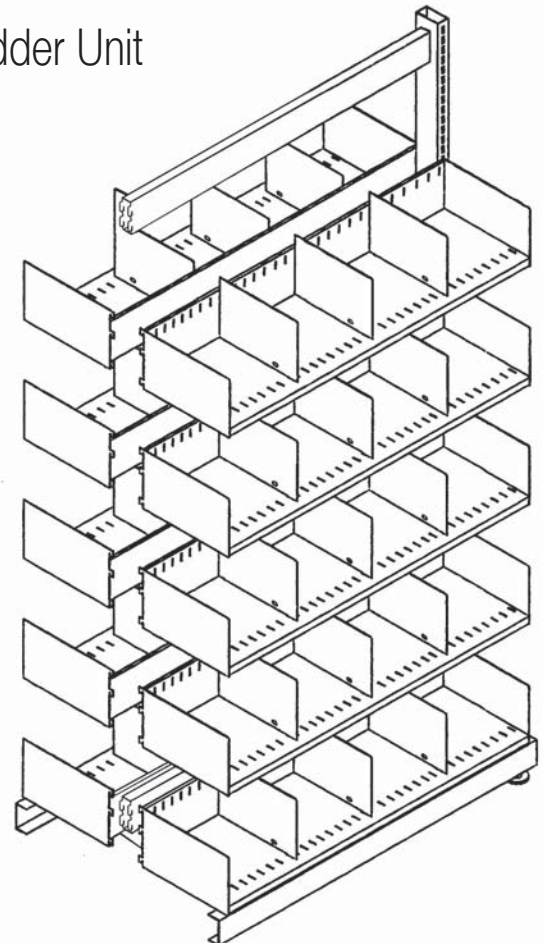
CATALOG NO.	SHELF	WEIGHT
S3-D36102090-S	10	287
S3-D36102090-A	10	270
S3-D36132690-S	13	331
S3-D36132690-A	13	313

Starter unit includes two column assemblies, cross bars, kick plate, divider shelf with three dividers per shelf, and end brackets. Adder unit is the same as a starter except it includes only one column assembly. All shelf sizes are nominal.

Starter Unit



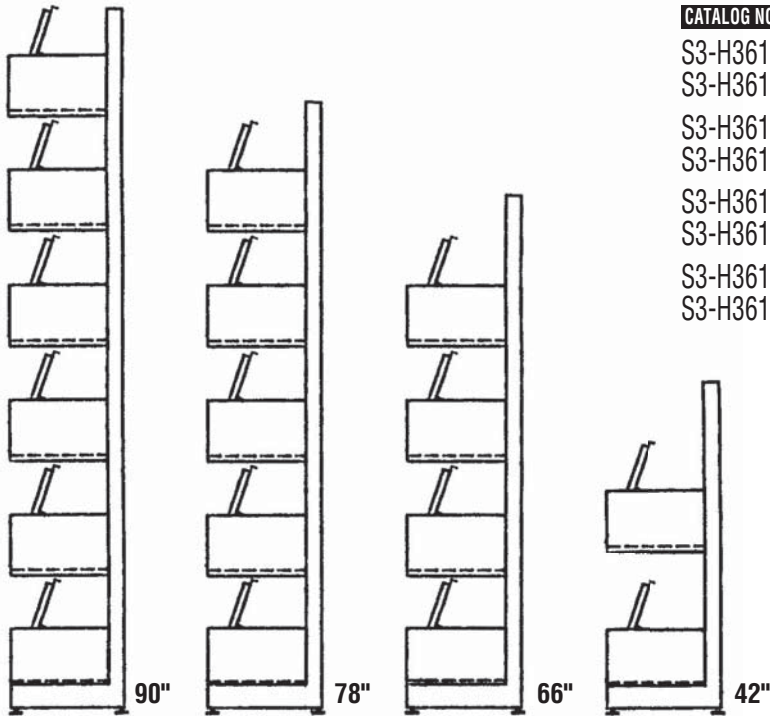
Adder Unit



## Hinged Periodical Units

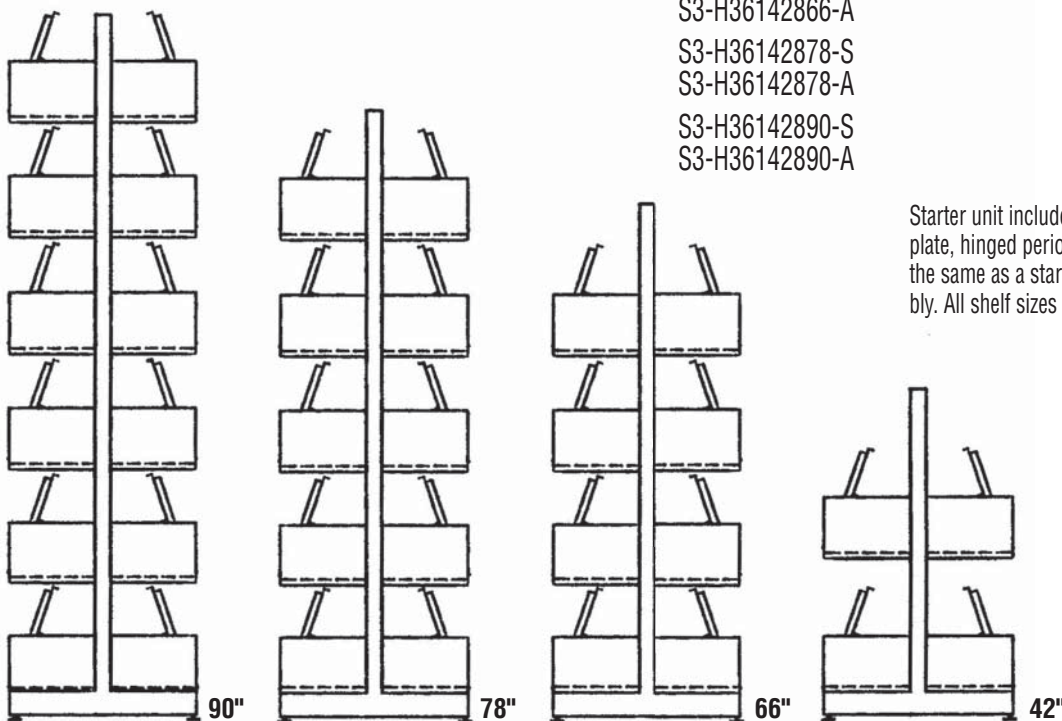
### Single Face

CATALOG NO.	SHELF	WEIGHT
S3-H36141442-S	14	65
S3-H36141442-A	14	56½
S3-H36141466-S	14	107
S3-H36141466-A	14	94½
S3-H36141478-S	14	128½
S3-H36141478-A	14	114
S3-H36141490-S	14	148
S3-H36141490-A	14	132



### Double Face

CATALOG NO.	SHELF	WEIGHT
S3-H36142842-S	14	104
S3-H36142842-A	14	93½
S3-H36142866-S	14	182
S3-H36142866-A	14	166½
S3-H36142878-S	14	218
S3-H36142878-A	14	201½
S3-H36142890-S	14	255
S3-H36142890-A	14	237

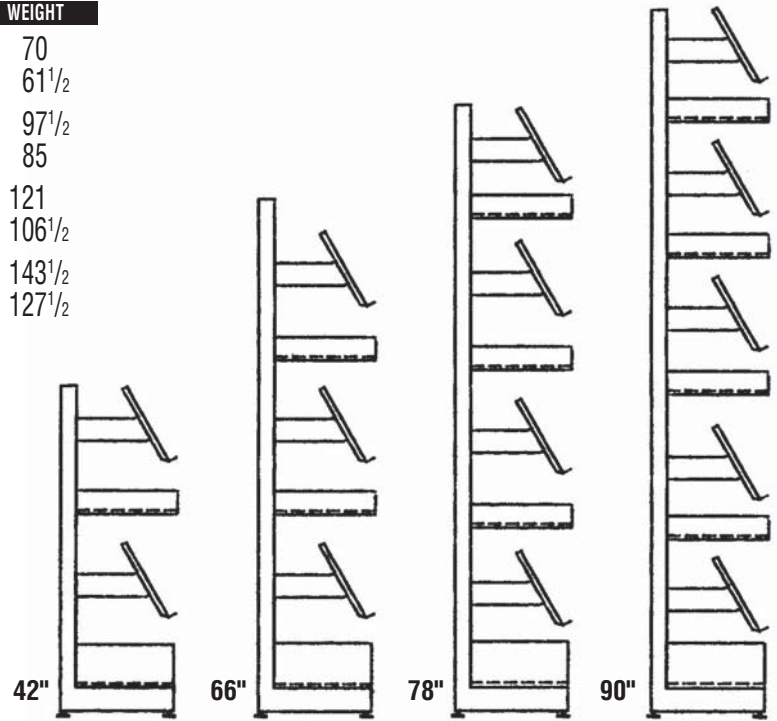


Starter unit includes two column assemblies, cross bars, kick plate, hinged periodical shelves and end brackets. Adder unit is the same as a starter except it includes only one column assembly. All shelf sizes are nominal.

## Fixed Periodical Units

### Single Face

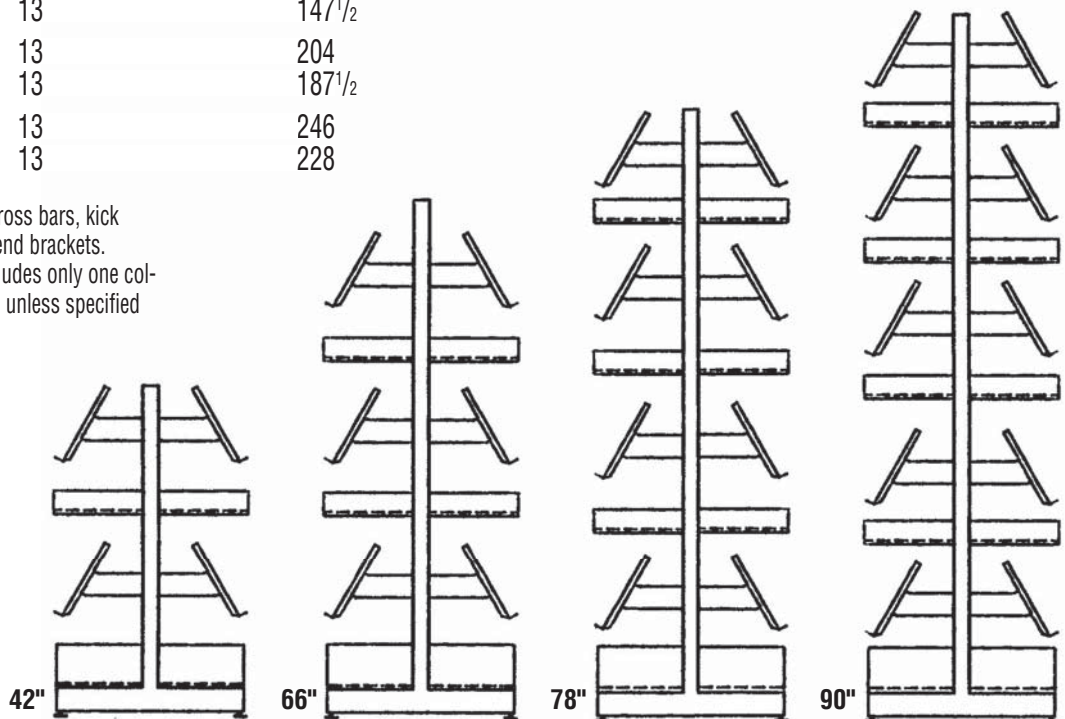
CATALOG NO.	SHELF	WEIGHT
S3-F36131342-S	13	70
S3-F36131342-A	13	61½
S3-F36131366-S	13	97½
S3-F36131366-A	13	85
S3-F36131378-S	13	121
S3-F36131378-A	13	106½
S3-F36131390-S	13	143½
S3-F36131390-A	13	127½



### Double Face

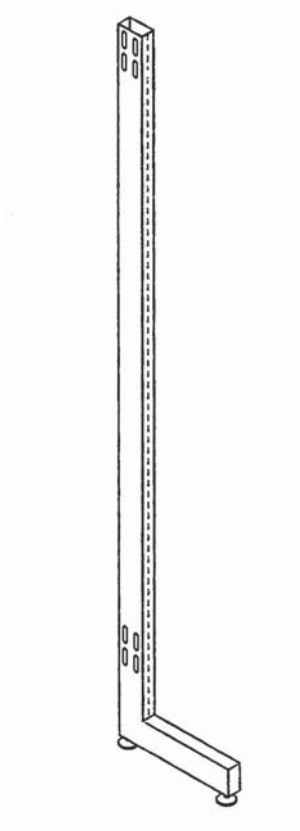
CATALOG NO.	SHELF	WEIGHT
S3-F36132642-S	13	114
S3-F36132642-A	13	103½
S3-F36132666-S	13	163
S3-F36132666-A	13	147½
S3-F36132678-S	13	204
S3-F36132678-A	13	187½
S3-F36132690-S	13	246
S3-F36132690-A	13	228

Starter unit includes two column assemblies, cross bars, kick plate, fixed periodical shelf, storage shelf, and end brackets. Adder unit is the same as a starter except it includes only one column assembly. 30° periodical shelf is furnished unless specified otherwise. All shelf sizes are nominal.



## Column Assembly

### Single Faced (1¼ x 2½–14 gauge)



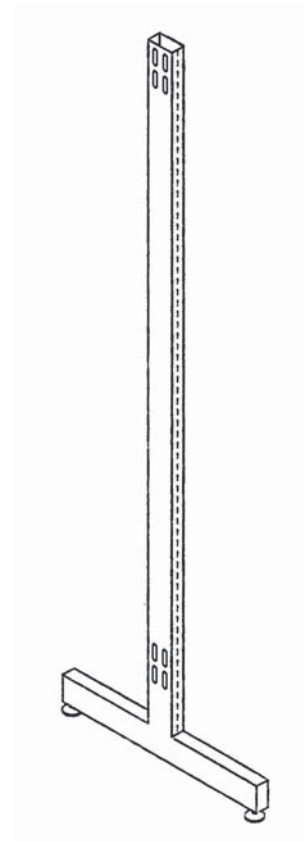
CATALOG NO.	NOMINAL SHELF DEPTH	OVERALL UPRIGHT DEPTH	NOMINAL HEIGHT	WEIGHT
S3-SCA0942	9	10½	42	7½
S3-SCA1042	10	11½	42	8
S3-SCA1142	11	12½	42	8
S3-SCA1342	13	14½	42	8½
S3-SCA1442	14	15½	42	8½
S3-SCA1742	17	18½	42	9
S3-SCA0960	9	10½	60	11
S3-SCA1060	10	11½	60	11½
S3-SCA1160	11	12½	60	11½
S3-SCA1360	13	14½	60	12
S3-SCA1460	14	15½	60	12
S3-SCA1760	17	18½	60	12½
S3-SCA0966	9	10½	66	11½
S3-SCA1066	10	11½	66	12
S3-SCA1166	11	12½	66	12
S3-SCA1366	13	14½	66	12½
S3-SCA1466	14	15½	66	12½
S3-SCA1766	17	18½	66	13
S3-SCA0972	9	10½	72	13
S3-SCA1072	10	11½	72	13½
S3-SCA1172	11	12½	72	13½
S3-SCA1372	13	14½	72	14
S3-SCA1472	14	15½	72	14
S3-SCA1772	17	18½	72	14½
S3-SCA0978	9	10½	78	13½
S3-SCA1078	10	11½	78	14
S3-SCA1178	11	12½	78	14
S3-SCA1378	13	14½	78	14½
S3-SCA1478	14	15½	78	14½
S3-SCA1778	17	18½	78	15
S3-SCA0984	9	10½	84	14
S3-SCA1084	10	11½	84	14½
S3-SCA1184	11	12½	84	14½
S3-SCA1384	13	14½	84	15
S3-SCA1484	14	15½	84	15
S3-SCA1784	17	18½	84	15½
S3-SCA0990	9	10½	90	15
S3-SCA1090	10	11½	90	15½
S3-SCA1190	11	12½	90	15½
S3-SCA1390	13	14½	90	16
S3-SCA1490	14	15½	90	16
S3-SCA1790	17	18½	90	16½

Actual height of upright is 1" less than the nominal height. This allows for the leveler and 1/4" of adjustment.

## Column Assembly

### Double Faced (1¼ x 2½–14 gauge)

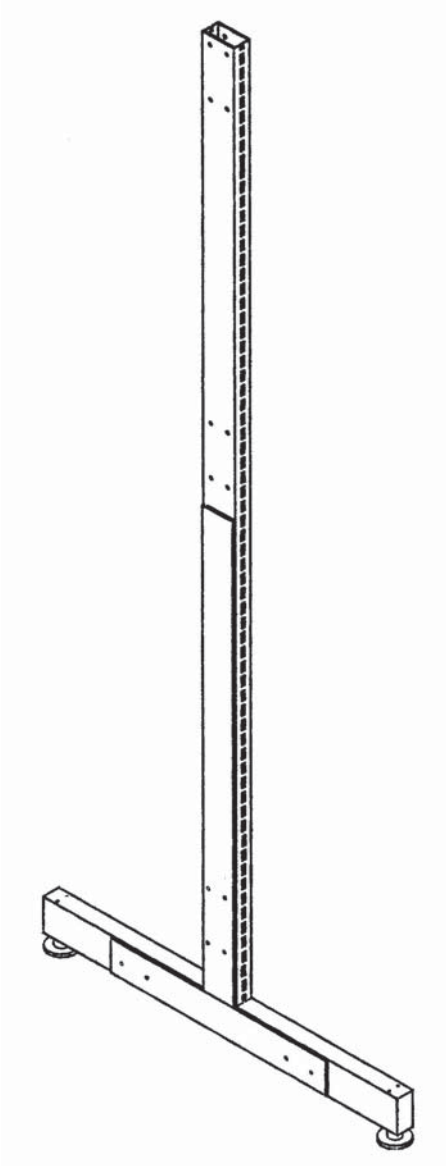
CATALOG NO.	NOMINAL SHELF DEPTH	OVERALL UPRIGHT DEPTH	NOMINAL HEIGHT	WEIGHT
S3-DCA1842	9	18½	42	9
S3-DCA2042	10	20½	42	9½
S3-DCA2242	11	22½	42	10
S3-DCA2642	13	26½	42	10½
S3-DCA2842	14	28½	42	10½
S3-DCA3442	17	34½	42	11½
S3-DCA1860	9	18½	60	13
S3-DCA2060	10	20½	60	13½
S3-DCA2260	11	22½	60	14
S3-DCA2660	13	26½	60	14½
S3-DCA2860	14	28½	60	14½
S3-DCA3460	17	34½	60	15½
S3-DCA1866	9	18½	66	14
S3-DCA2066	10	20½	66	14½
S3-DCA2266	11	22½	66	15
S3-DCA2666	13	26½	66	15½
S3-DCA2866	14	28½	66	15½
S3-DCA3466	17	34½	66	16½
S3-DCA1872	9	18½	72	14½
S3-DCA2072	10	20½	72	15
S3-DCA2272	11	22½	72	15½
S3-DCA2672	13	26½	72	16
S3-DCA2872	14	28½	72	16
S3-DCA3472	17	34½	72	17
S3-DCA1878	9	18½	78	15
S3-DCA2078	10	20½	78	15½
S3-DCA2278	11	22½	78	16
S3-DCA2678	13	26½	78	16½
S3-DCA2878	14	28½	78	16½
S3-DCA3478	17	34½	78	17½
S3-DCA1884	9	18½	84	16
S3-DCA2084	10	20½	84	16½
S3-DCA2284	11	22½	84	16½
S3-DCA2684	13	26½	84	17
S3-DCA2884	14	28½	84	17
S3-DCA3484	17	34½	84	18½
S3-DCA1890	9	18½	90	16½
S3-DCA2090	10	20½	90	17
S3-DCA2290	11	22½	90	17½
S3-DCA2690	13	26½	90	18
S3-DCA2890	14	28½	90	18
S3-DCA3490	17	34½	90	19



Actual height of upright is 1" less than the nominal height. This allows for the leveler and 1/4" of adjustment.

## Column Assembly

### Double Faced (1¼ x 2½–14 gauge for Seismic Zone 3)



CATALOG NO.	NOMINAL SHELF DEPTH	OVERALL UPRIGHT DEPTH	NOMINAL HEIGHT	WEIGHT
S3-DCA1872-3	9	18½	72	25
S3-DCA2072-3	10	20½	72	26
S3-DCA2272-3	11	22½	72	27
S3-DCA2672-3	13	26½	72	28
S3-DCA2872-3	14	28½	72	29
S3-DCA3472-3	17	34½	72	31
S3-DCA1878-3	9	18½	78	25½
S3-DCA2078-3	10	20½	78	26½
S3-DCA2278-3	11	22½	78	27½
S3-DCA2678-3	13	26½	78	28½
S3-DCA2878-3	14	28½	78	29½
S3-DCA3478-3	17	34½	78	31½
S3-DCA1884-3	9	18½	84	26½
S3-DCA2084-3	10	20½	84	27½
S3-DCA2284-3	11	22½	84	28½
S3-DCA2684-3	13	26½	84	29½
S3-DCA2884-3	14	28½	84	30½
S3-DCA3484-3	17	34½	84	32½
S3-DCA1890-3	9	18½	90	28
S3-DCA2090-3	10	20½	90	29
S3-DCA2290-3	11	22½	90	30
S3-DCA2690-3	13	26½	90	31
S3-DCA2890-3	14	28½	90	32
S3-DCA3490-3	17	34½	90	34

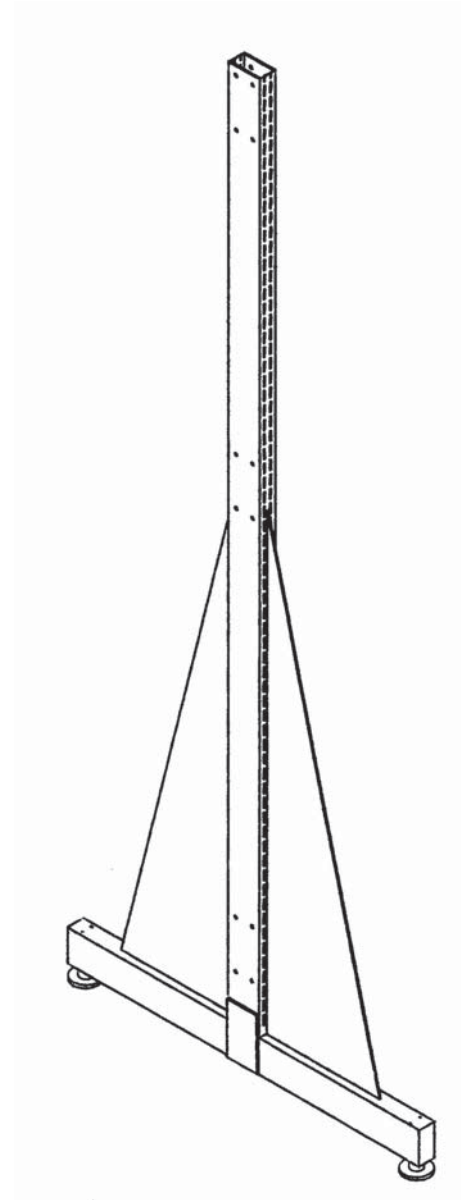
To meet seismic zone 3 requirements, use the above special column assemblies along with seismic middle cross bar and seismic bottom cross bar as shown on page 18. The top cross bar can be our standard cross bar. In addition to this, the units must be floor anchored at the outer end of each upright assembly. A special angle plate is furnished which is attached to the upright assemblies with 1/4" machine bolts. Floor anchors are not included.

## Column Assembly

### Double Faced (1¼ x 2½–14 gauge for Seismic Zone 4)

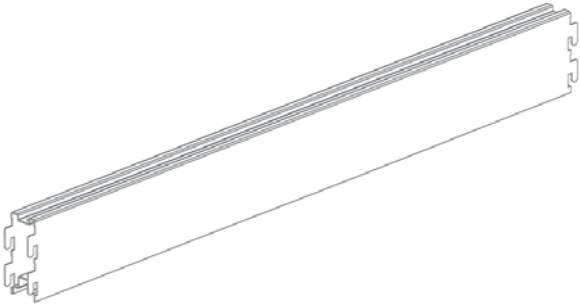
CATALOG NO.	NOMINAL SHELF DEPTH	OVERALL UPRIGHT DEPTH	NOMINAL HEIGHT	WEIGHT
S3-DCA1872-4	9	18½	72	24
S3-DCA2072-4	10	20½	72	25
S3-DCA2272-4	11	22½	72	26
S3-DCA2672-4	13	26½	72	28
S3-DCA2872-4	14	28½	72	30
S3-DCA3472-4	17	34½	72	33
S3-DCA1878-4	9	18½	78	24½
S3-DCA2078-4	10	20½	78	25½
S3-DCA2278-4	11	22½	78	26½
S3-DCA2678-4	13	26½	78	28½
S3-DCA2878-4	14	28½	78	30½
S3-DCA3478-4	17	34½	78	33½
S3-DCA1884-4	9	18½	84	25½
S3-DCA2084-4	10	20½	84	26½
S3-DCA2284-4	11	22½	84	27½
S3-DCA2684-4	13	26½	84	29½
S3-DCA2884-4	14	28½	84	31½
S3-DCA3484-4	17	34½	84	34½
S3-DCA1890-4	9	18½	90	26
S3-DCA2090-4	10	20½	90	27
S3-DCA2290-4	11	22½	90	28
S3-DCA2690-4	13	26½	90	30½
S3-DCA2890-4	14	28½	90	32
S3-DCA3490-4	17	34½	90	35

To meet seismic zone 4 requirements, use the above special column assemblies along with seismic top and bottom cross bars as shown on page 18. Sway braces must be added at a minimum of every 4th section (call for pricing). In addition to this the units must be floor anchored at the outer end of each upright assembly. A special angle plate is furnished which is attached to the upright assemblies with tek screws. Floor anchors are not included. Must order special kick plates as shown on page 18. Uprights are double slotted instead of single slotted. Gussets are welded to the upright assemblies except at ends of ranges where a steel plate is welded to the upright in lieu of a gusset.



# System 30®

## Cross Bars



### 3 x 1 x 14 Gauge Open Channel

CATALOG NO.	SIZE	WEIGHT
S3-CROSS30	30	5
S3-CROSS36	36	6

Two cross bars are needed per section.  
Use in seismic zones 1, 2a, 2b, and on top in seismic zone 3.

### 3 x 1 x 16 Gauge Open Channel (Seismic Zone 4)

CATALOG NO.	SIZE	WEIGHT
S3-CROSS30-4	30	4
S3-CROSS36-4	36	5

Use at top and the bottom in seismic zone 4 only.

### Middle/Bottom Cross Bars

#### 3 x 1 x 14 Gauge Closed Tube (Seismic Zone 3)

CATALOG NO.	SIZE	WEIGHT
S3-CROSS30-3	30	6
S3-CROSS36-3	36	7

Use in the middle and the bottom in seismic zone 3 only.

## Kick Plate

### 2 1/2" High x 20 Gauge

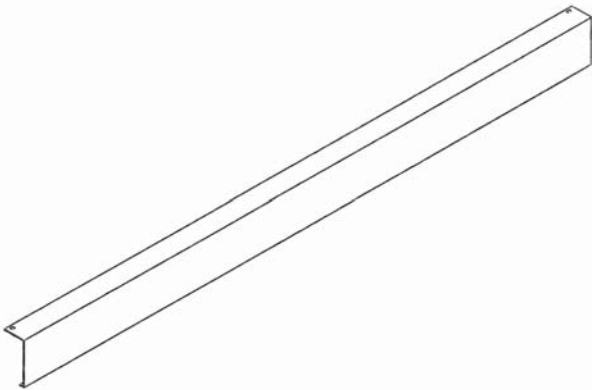
CATALOG NO.	SIZE	WEIGHT
S3-KP30	30	1 1/2
S3-KP36	36	1 1/2

One kick plate is used on single faced units and two on double face.  
Kick plate attaches with 2 drop in rivets.

### For Seismic Zone 4

CATALOG NO.	SIZE	WEIGHT
S3-KP30-S	30	1 1/2
S3-KP36-S	36	1 1/2

Use in seismic zone 4 only.



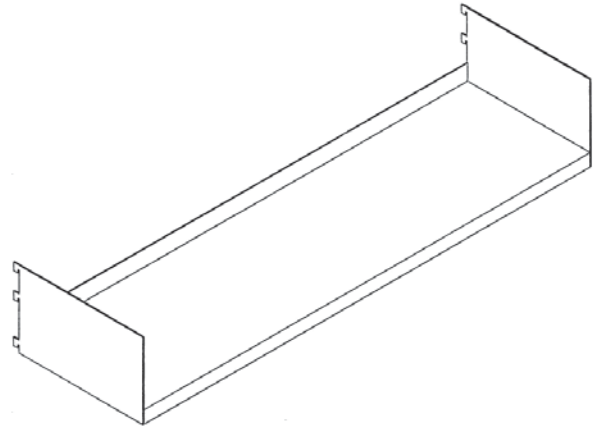
## Integral Back Shelves

### 1¼" High Back Edge

CATALOG NO.	SIZE	WEIGHT
S3-INT3009	30 x 9	6½
S3-INT3010	30 x 10	7
S3-INT3011	30 x 11	8
S3-INT3013	30 x 13	9
S3-INT3017	30 x 17	11
S3-INT3609	36 x 9	7½
S3-INT3610	36 x 10	8
S3-INT3611	36 x 11	8½
S3-INT3613	36 x 13	10
S3-INT3617	36 x 17	12

Includes 6" high flat end brackets.

Add an (s) after the catalog number if used with seismic zone 4 column assemblies.

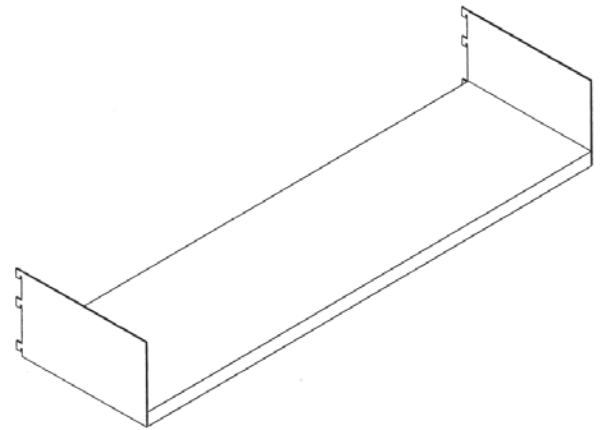


## Standard Flat Shelves

CATALOG NO.	SIZE	WEIGHT
S3-AS3009	30 x 9	6½
S3-AS3010	30 x 10	7
S3-AS3011	30 x 11	8
S3-AS3013	30 x 13	9
S3-AS3017	30 x 17	11
S3-AS3609	36 x 9	7½
S3-AS3610	36 x 10	8
S3-AS3611	36 x 11	8½
S3-AS3613	36 x 13	9
S3-AS3617	36 x 17	11

Includes 6" high flat end brackets.

Add an (s) after the catalog number if used with seismic zone 4 column assemblies.



All sizes shown are nominal. Over all shelf size is 1" less than nominal.

# System 30®

## Adjustable Backstop

CATALOG NO.	SIZE	WEIGHT
S3-BSTOP36	36"	2

Used with standard flat shelves to prevent material from sliding through to the other side of a double face unit.

## Divider Shelves

### Comes with 3 dividers per shelf

CATALOG NO.	SIZE	WEIGHT
S3-DIV3010	30 x 10	16
S3-DIV3013	30 x 13	19
S3-DIV3610	36 x 10	17
S3-DIV3613	36 x 13	20

Includes 8" high flat end brackets.

## Dividers

CATALOG NO.	SIZE	WEIGHT
S3-DIV78	7 x 8	1
S3-DIV711	7 x 11	1

## Hinged Periodical Shelves

### With Integral Back Shelf

CATALOG NO.	SIZE	WEIGHT
S3-HIN3614	36 x 14	17
S3-HIN3617	36 x 17	20

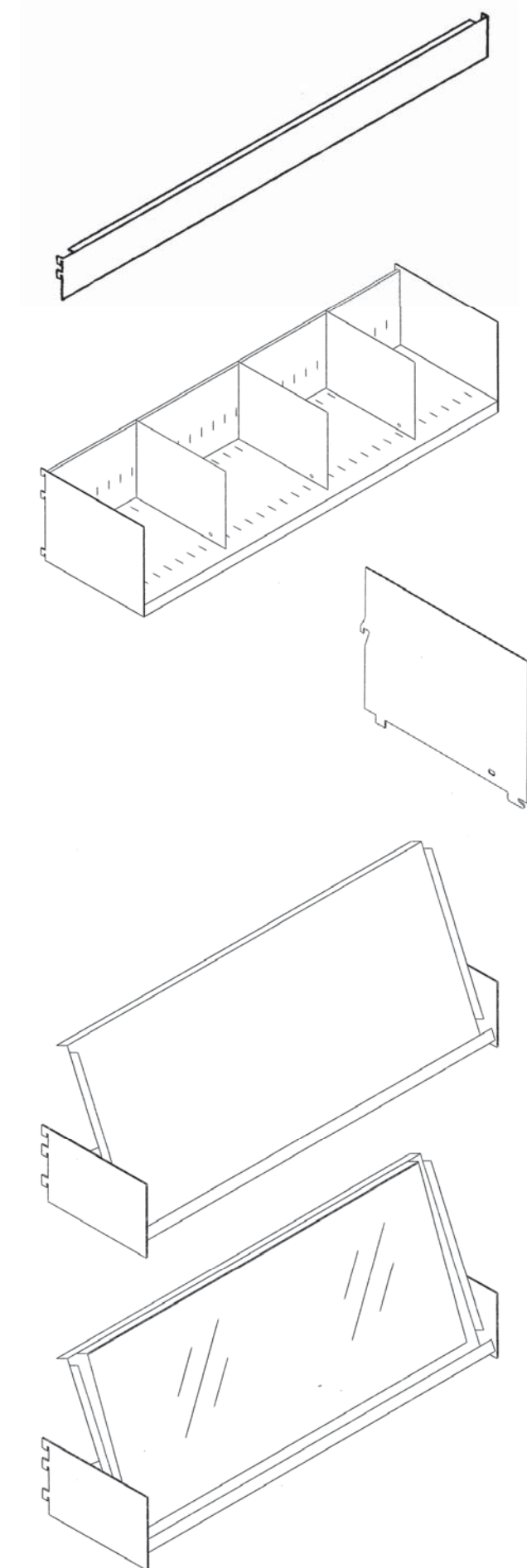
Includes 8" high flat end brackets. Back issues are stored out of sight behind the sloped display shelf. Display shelf is 14" high.

## Hinged Periodical Shelves

### With Plexiglass Covers

CATALOG NO.	SIZE	WEIGHT
S3-HIN3614PLEX	36 x 14	19
S3-HIN3617PLEX	36 x 17	22

Ideal for displaying and storing newspapers.

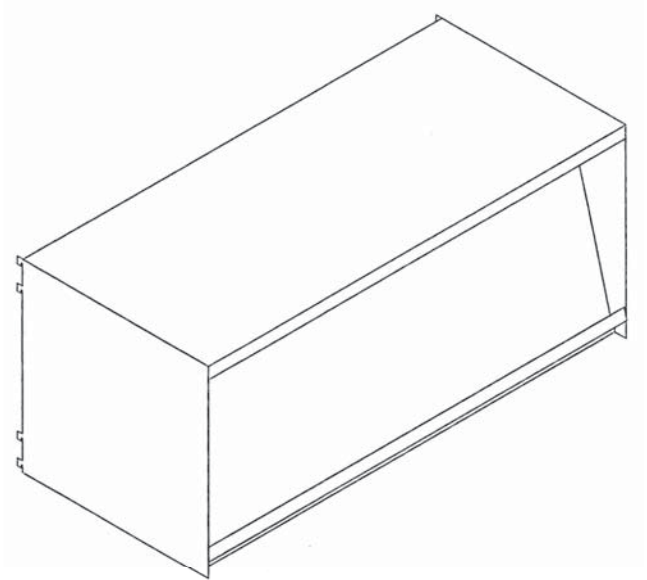


# System 30®

## Tip-Up Periodical Cabinet

CATALOG NO.	SIZE	WEIGHT
S3-PERCAB3617	36 x 17	38

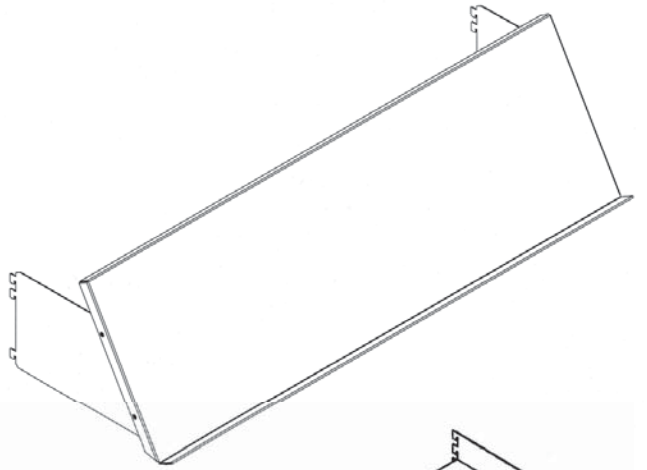
Ideal for increased storage of back issues. Provides up to 12½" of storage height. Ideal for storing back issues in Princeton type boxes. 11 boxes will fit on a shelf.



## Fixed Periodical Shelves

CATALOG NO.	SIZE	SLOPE	WEIGHT
S3-FIX3613-30	36 x 13	30°	9½
S3-FIX3613-45	36 x 13	45°	9½

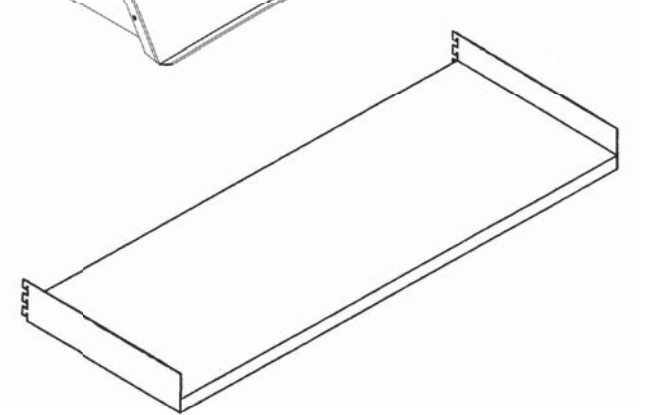
Includes brackets. Ideal for displaying periodicals. Back issues are stored on our storage shelf which must be ordered separately. Display shelf is 11" high with 1" front flange.



## Storage Shelf

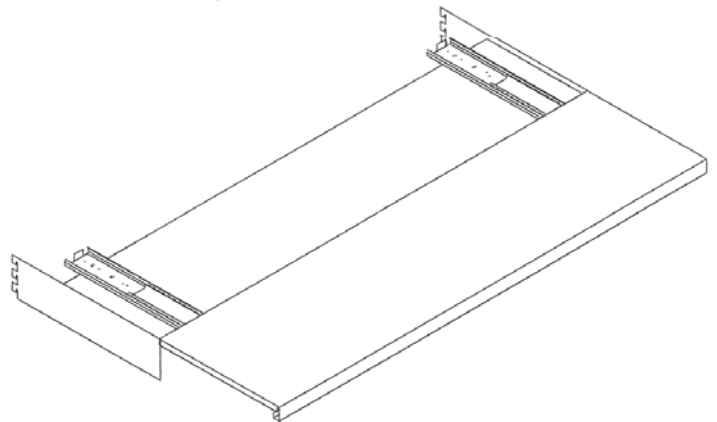
CATALOG NO.	SIZE	WEIGHT
S3-STOR3612	36 x 12	10

Includes brackets. Used in conjunction with fixed periodical shelf for storage of back issues.

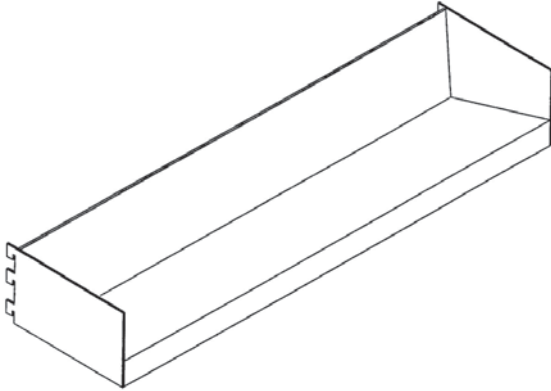


## Sliding Reference Shelf

CATALOG NO.	SIZE	WEIGHT
S3-REF3609	36 x 9	10
S3-REF3610	36 x 10	10½
S3-REF3611	36 x 11	11
S3-REF3613	36 x 13	11
S3-REF3617	36 x 17	12



## Multi Media Display Shelf



CATALOG NO.	SIZE	WEIGHT
S3-PB3609	36 x 9	12

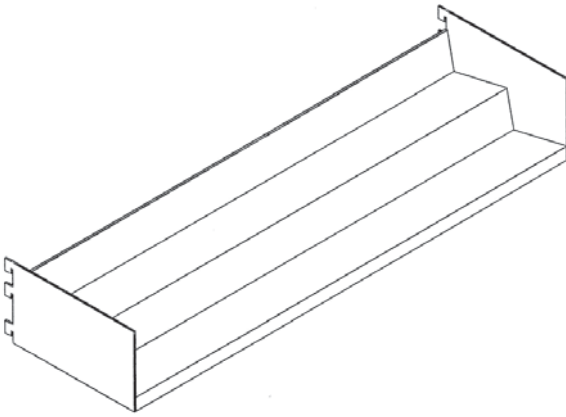
Comes complete with 8" high end brackets. Flat surface of shelf measures 6" deep. Ideal for storage/display of CDs, videos and paperback books.

Can also be furnished with slots on 1" centers and 5 dividers. Order as follows:

CATALOG NO.	SIZE	WEIGHT
S3-PB3609-DIV	36 x 9	15

Will hold 85 CDs per shelf or 28 videos.

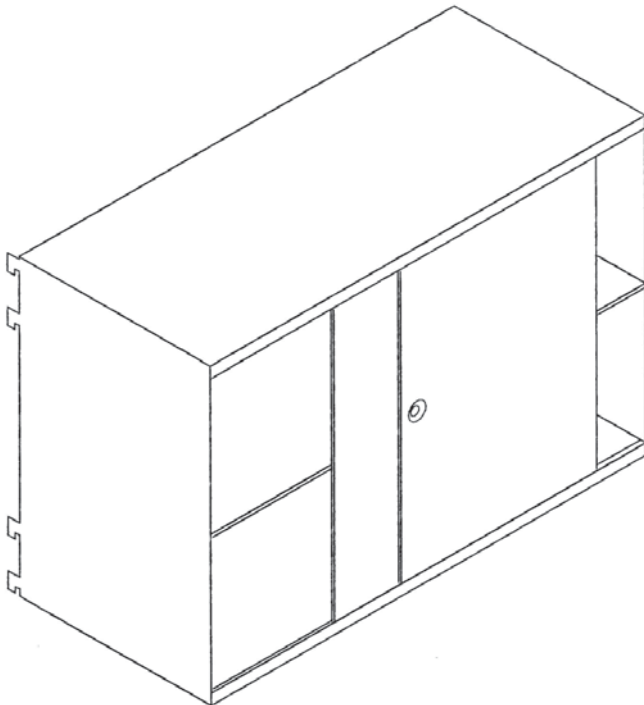
## Double Tier Cassette Shelf



CATALOG NO.	SIZE	WEIGHT
S3-DT3610	36 x 10	9½

Includes brackets. Will hold 102 cassettes.

## Sliding Door Cabinet 2 Sliding Doors



CATALOG NO.	SIZE	WEIGHT
S3-SSCAB361724	36w x 17d x 24h	65

Comes with lock and one adjustable shelf.

## Multi-Media Cabinet

CATALOG NO.	SIZE	WEIGHT
S3-MMCAB36	36 x 17	53

Includes lock.

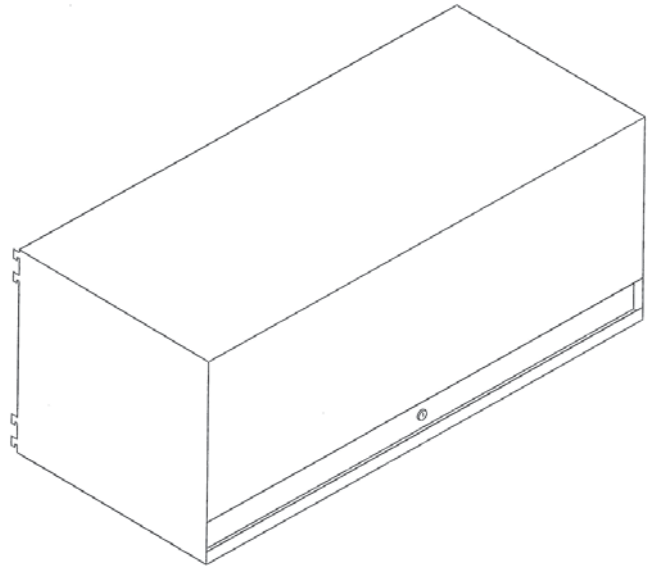
S3-MMCAB36-1	36 x 17	59
--------------	---------	----

Includes lock and one pull-out frame.

S3-MMCAB36-2	36 x 17	65
--------------	---------	----

Includes lock and two pull-out frames.

Door slides up and out of view for easy access to storage trays. Trays must be ordered separately. Cabinet measures 36"w x 16"h x 16"d.



## Cabinet Storage Trays

**Each tray comes with one divider.**

CATALOG NO.	SIZE	WEIGHT
S3-CASSETTE	3 x 4 <sup>7</sup> / <sub>16</sub> x 12 <sup>3</sup> / <sub>4</sub>	3

Each tray will hold 18 audio cassettes.  
Each pull-out frame will hold 7 trays.

S3-VIDEO	3 <sup>1</sup> / <sub>4</sub> x 7 <sup>5</sup> / <sub>8</sub> x 12 <sup>3</sup> / <sub>4</sub>	4
----------	--	---

Each tray will hold 11 video cassettes.  
Each pull-out frame will hold 4 trays.

S3-MICROFILM	3 <sup>7</sup> / <sub>8</sub> x 4 x 12 <sup>3</sup> / <sub>4</sub>	3
--------------	--	---

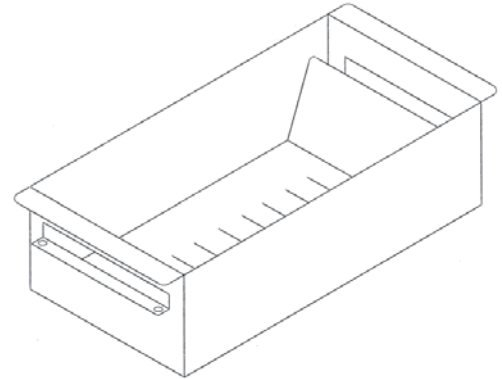
Each tray will hold 7 boxes.  
Each pull-out frame will hold 8 trays.

S3-MICROFICHE	4 x 6 <sup>1</sup> / <sub>8</sub> x 12 <sup>3</sup> / <sub>4</sub>	4
---------------	--	---

Each tray will hold 905 microfiches.  
Each pull-out frame will hold 5 trays.

S3-CD	4 <sup>1</sup> / <sub>2</sub> x 5 x 12 <sup>3</sup> / <sub>4</sub>	4
-------	--	---

Each tray will hold 29 CDs.  
Each pull-out frame will hold 6 trays.



## Browsing Boxes for Audio/Visual Media

### Single Tier Browsing Box for Audio Cassettes

CATALOG NO.	SIZE	WEIGHT
S3-STBROWSE3613-AC	36 x 13 x 4	17

Box has 10 compartments for audio cassettes.  
Capacity: 120 audio cassettes.

### Single Tier Browsing Box for CDs

CATALOG NO.	SIZE	WEIGHT
S3-STBROWSE3613-CD	36 x 13 x 4	17

Box has 6 compartments for CDs.  
Capacity: 114 CDs.

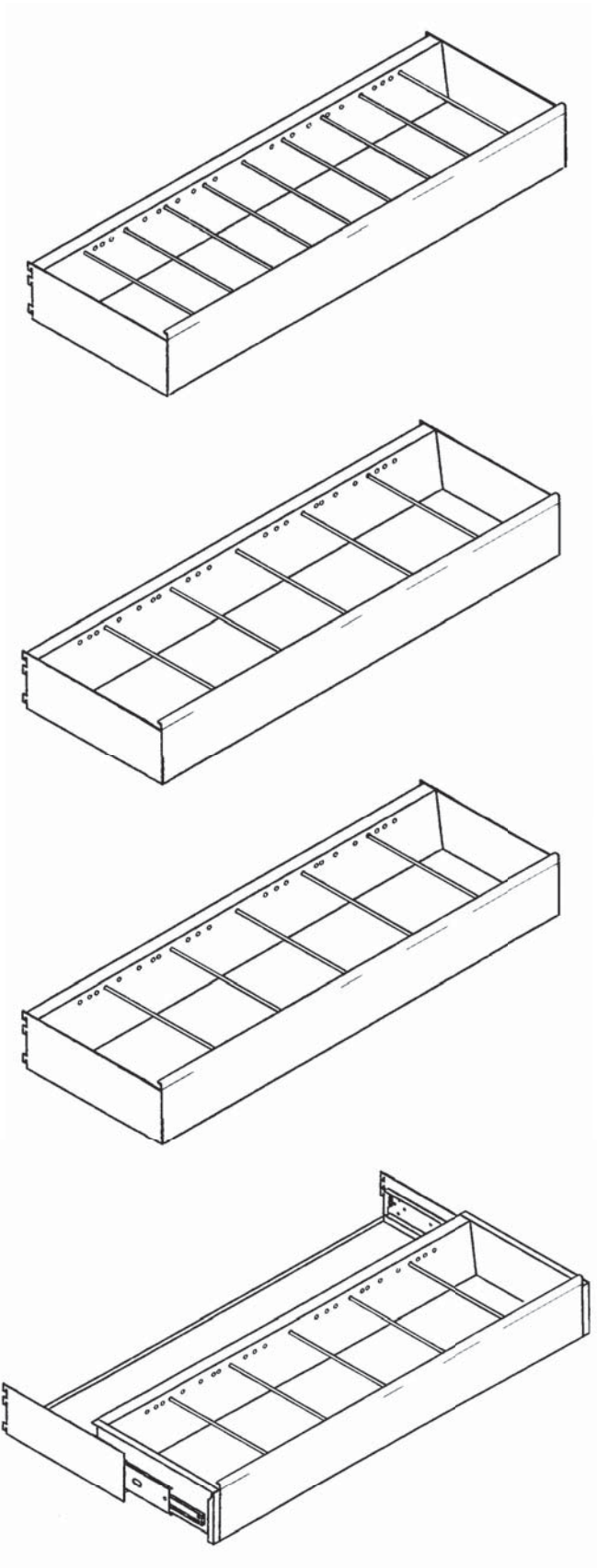
### Single Tier Browsing Box for DVDs

CATALOG NO.	SIZE	WEIGHT
S3-STBROWSE3613-DVD	36 x 13 x 4	17

Box has 6 compartments for DVDs.  
Capacity: 72 DVDs.

### Single Tier Pull-Out Browsing Box

All of our browsing boxes can be made in a pull out design.  
Capacities are the same as the regular browsing box.  
Simply add the letters PO after the catalog numbers listed above.



# System 30<sup>®</sup>

## Double Tier Browsing Box for Audio Cassettes

CATALOG NO.	SIZE	WEIGHT
S3-DTBROWSE3617-AC	36 x 17 X 8	29

Box has 20 compartments for audio cassettes.  
Capacity: 160 audio cassettes.

## Double Tier Browsing Box for CDs

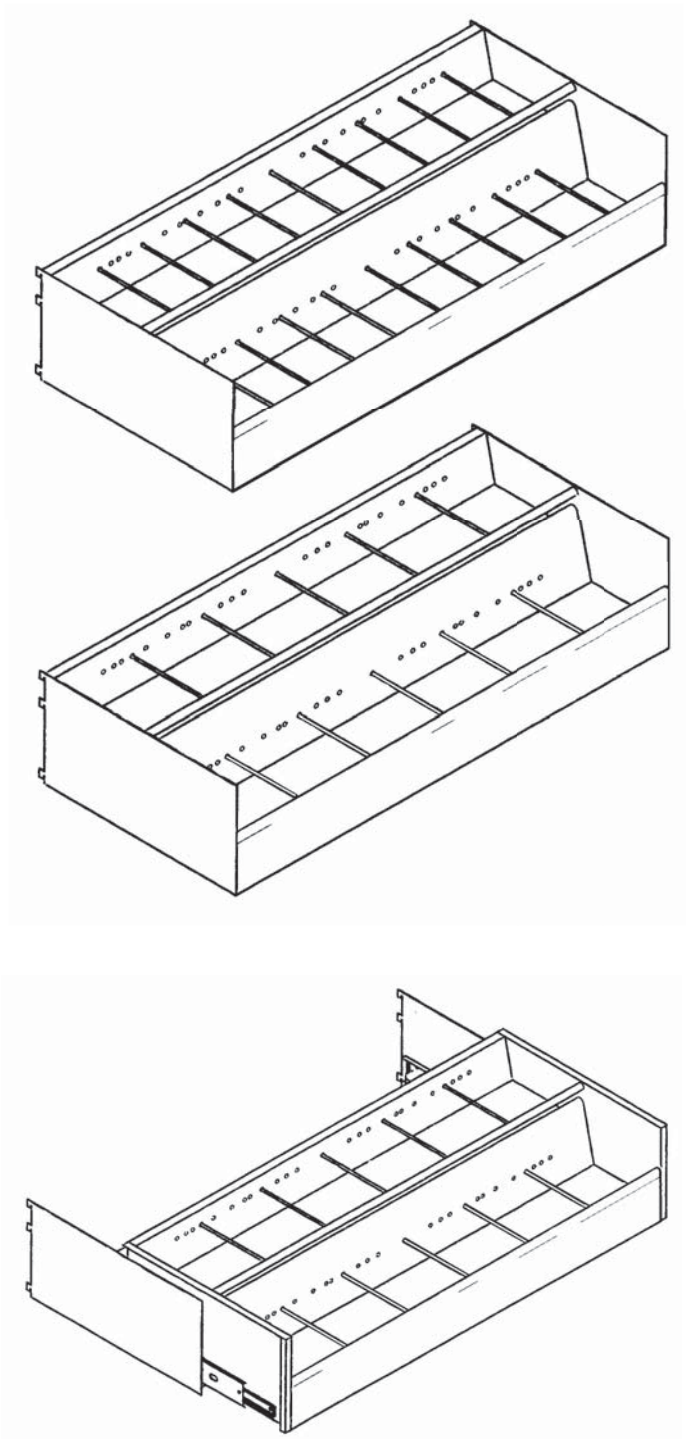
CATALOG NO.	SIZE	WEIGHT
S3-DTBROWSE3617-CD	36 x 17 X 8	29

Box has 12 compartments for CDs.  
Capacity: 144 CDs.

All of our browsing boxes are designed to be adjustable in the field.

## Double Tier Pull-Out Browsing Box

All of our browsing boxes can be made in a pull out design.  
Capacities are the same as the regular browsing box.  
Simply add the letters PO after the catalog numbers listed above.



# System 30®

## Hang-Up Bag Rack

CATALOG NO.	SIZE	WEIGHT
S3-BAG3612	36 x 12	4

Rod measures 7/16" in Diameter. Hang-up bags hang on front rod. Back rod prevents bags from swinging. Will accept most size bags. Ideal for storage of odd size materials.

## Zig-Zag Display

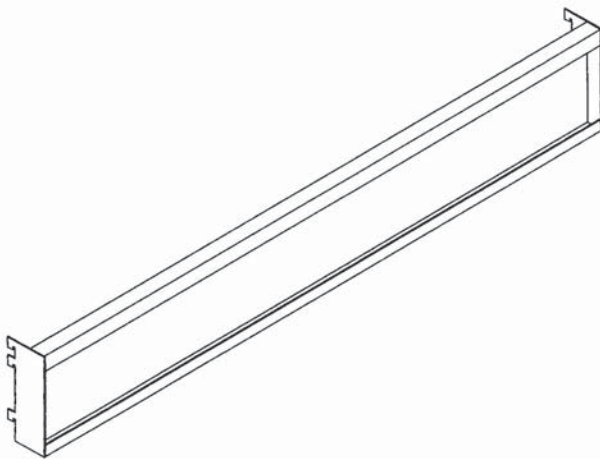
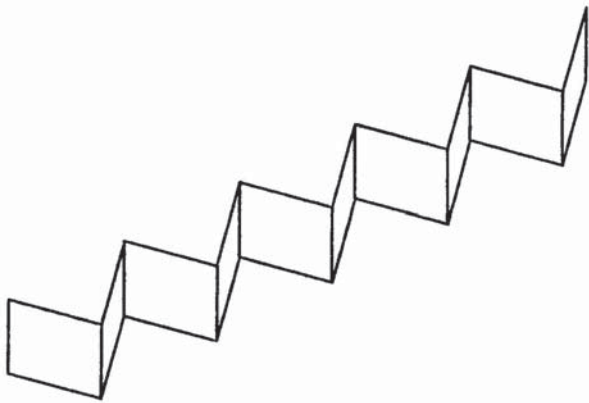
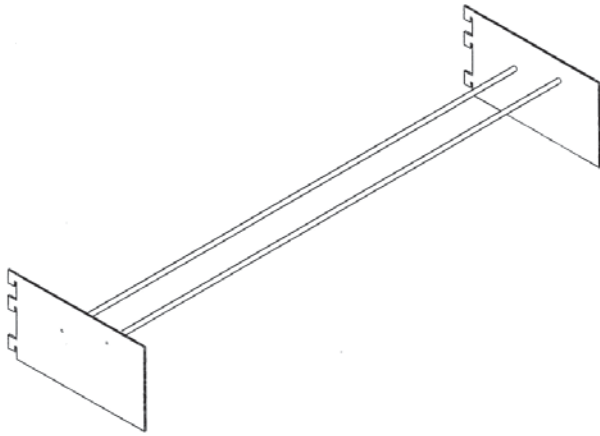
CATALOG NO.	SIZE	WEIGHT
S3-ZIGZAG36	36 x 4	3

Includes zig-zag only. Shelf must be ordered separately. Attaches to shelf with small angle brackets and double sided tape.

## Display System

CATALOG NO.	SIZE	WEIGHT
S3-DIS3606-AC	36 x 5 <sup>5</sup> / <sub>8</sub>	6
S3-DIS3607-CD	36 x 5 <sup>11</sup> / <sub>16</sub>	7
S3-DIS3609-DVD	36 x 8 <sup>1</sup> / <sub>4</sub>	10

Used to display cassettes, CDs, DVDs in an upright position. Ideal for use above browsing boxes.



## Steel Canopy Tops

### Starter Unit Single Faced

CATALOG NO.	SIZE	WEIGHT
S3-TOP3609-S	36 x 9	6
S3-TOP3610-S	36 x 10	6½
S3-TOP3611-S	36 x 11	7
S3-TOP3613-S	36 x 13	8
S3-TOP3617-S	36 x 17	9½

Starter canopy top comes with 1 pair of brackets.

### Adder Unit Single Faced

CATALOG NO.	SIZE	WEIGHT
S3-TOP3609-A	36 x 9	5
S3-TOP3610-A	36 x 10	5½
S3-TOP3611-A	36 x 11	6
S3-TOP3613-A	36 x 13	7
S3-TOP3617-A	36 x 17	8½

Adder single faced canopy top comes with 1 bracket only.

### Starter Unit Double Faced

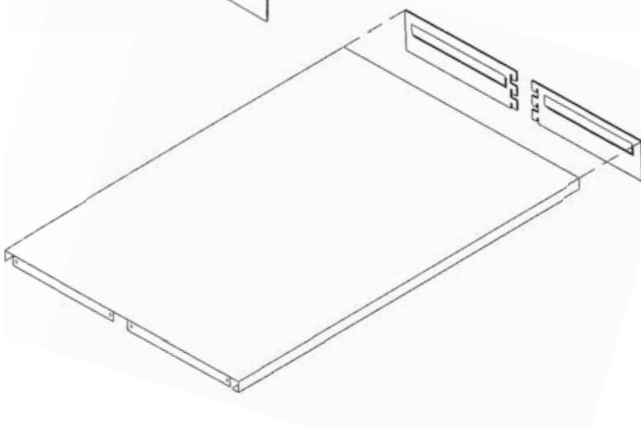
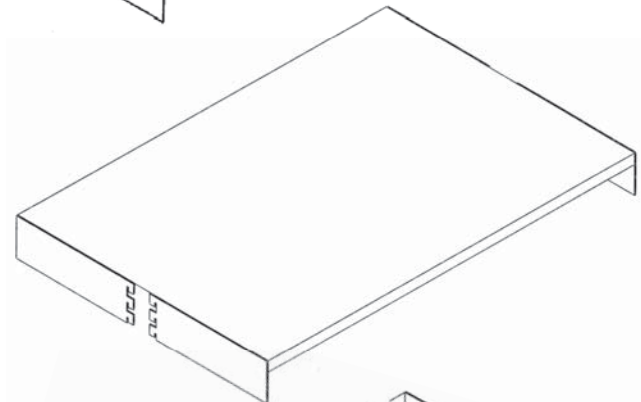
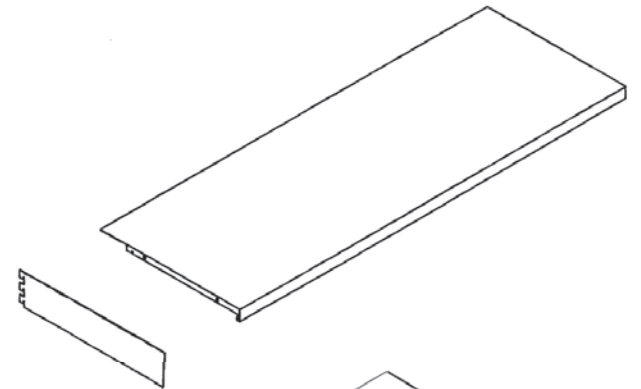
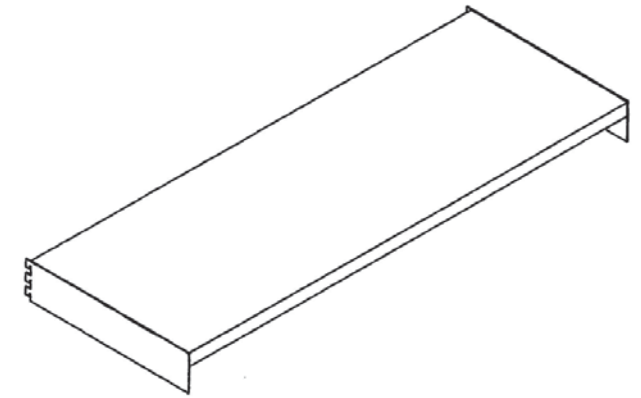
CATALOG NO.	SIZE	WEIGHT
S3-TOP3618-S	36 x 18	12
S3-TOP3620-S	36 x 20	13
S3-TOP3622-S	36 x 22	14
S3-TOP3626-S	36 x 26	16
S3-TOP3634-S	36 x 34	19

Starter canopy top comes with 2 pairs of brackets.

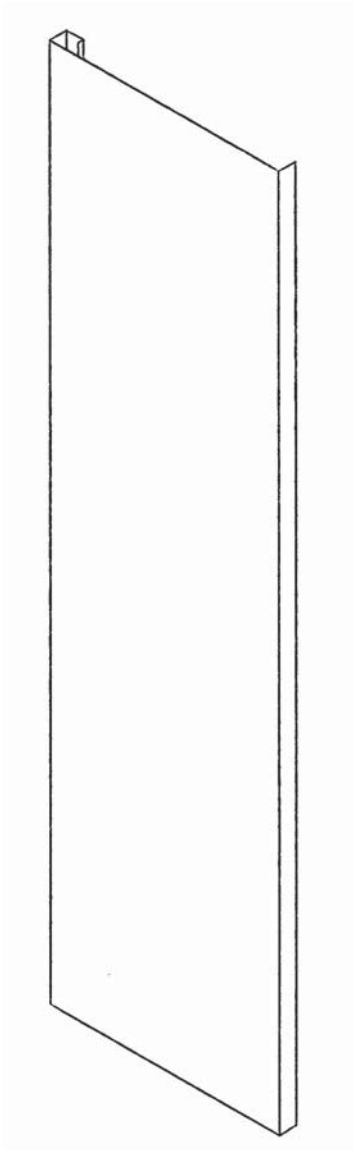
### Adder Unit Double Faced

CATALOG NO.	SIZE	WEIGHT
S3-TOP3618-A	36 x 18	10
S3-TOP3620-A	36 x 20	11
S3-TOP3622-A	36 x 22	12
S3-TOP3626-A	36 x 26	14
S3-TOP3634-A	36 x 34	17

Adder double face canopy top comes with 2 brackets only.



## Steel End Panels



### Single Faced

CATALOG NO.	SIZE	WEIGHT
S3-END0942	10 <sup>9</sup> / <sub>16</sub> X 40 <sup>5</sup> / <sub>8</sub>	11
S3-END1042	11 <sup>9</sup> / <sub>16</sub> X 40 <sup>5</sup> / <sub>8</sub>	12
S3-END1142	12 <sup>9</sup> / <sub>16</sub> X 40 <sup>5</sup> / <sub>8</sub>	13
S3-END1342	14 <sup>9</sup> / <sub>16</sub> X 40 <sup>5</sup> / <sub>8</sub>	14
S3-END1442HP	15 <sup>9</sup> / <sub>16</sub> X 40 <sup>5</sup> / <sub>8</sub>	15
S3-END1742	18 <sup>9</sup> / <sub>16</sub> X 40 <sup>5</sup> / <sub>8</sub>	17
S3-END0960	10 <sup>9</sup> / <sub>16</sub> X 58 <sup>5</sup> / <sub>8</sub>	16
S3-END1060	11 <sup>9</sup> / <sub>16</sub> X 58 <sup>5</sup> / <sub>8</sub>	17
S3-END1160	12 <sup>9</sup> / <sub>16</sub> X 58 <sup>5</sup> / <sub>8</sub>	18
S3-END1360	14 <sup>9</sup> / <sub>16</sub> X 58 <sup>5</sup> / <sub>8</sub>	19 <sup>1</sup> / <sub>2</sub>
S3-END1460HP	15 <sup>9</sup> / <sub>16</sub> X 58 <sup>5</sup> / <sub>8</sub>	20 <sup>1</sup> / <sub>2</sub>
S3-END1760	18 <sup>9</sup> / <sub>16</sub> X 58 <sup>5</sup> / <sub>8</sub>	24
S3-END0966	10 <sup>9</sup> / <sub>16</sub> X 64 <sup>5</sup> / <sub>8</sub>	18
S3-END1066	11 <sup>9</sup> / <sub>16</sub> X 64 <sup>5</sup> / <sub>8</sub>	19
S3-END1166	12 <sup>9</sup> / <sub>16</sub> X 64 <sup>5</sup> / <sub>8</sub>	20
S3-END1366	14 <sup>9</sup> / <sub>16</sub> X 64 <sup>5</sup> / <sub>8</sub>	21 <sup>1</sup> / <sub>2</sub>
S3-END1466HP	15 <sup>9</sup> / <sub>16</sub> X 64 <sup>5</sup> / <sub>8</sub>	22 <sup>1</sup> / <sub>2</sub>
S3-END1766	18 <sup>9</sup> / <sub>16</sub> X 64 <sup>5</sup> / <sub>8</sub>	26
S3-END0972	10 <sup>9</sup> / <sub>16</sub> X 70 <sup>5</sup> / <sub>8</sub>	20
S3-END1072	11 <sup>9</sup> / <sub>16</sub> X 70 <sup>5</sup> / <sub>8</sub>	21
S3-END1172	12 <sup>9</sup> / <sub>16</sub> X 70 <sup>5</sup> / <sub>8</sub>	22
S3-END1372	14 <sup>9</sup> / <sub>16</sub> X 70 <sup>5</sup> / <sub>8</sub>	24
S3-END1472HP	15 <sup>9</sup> / <sub>16</sub> X 70 <sup>5</sup> / <sub>8</sub>	25
S3-END1772	18 <sup>9</sup> / <sub>16</sub> X 70 <sup>5</sup> / <sub>8</sub>	29
S3-END0978	10 <sup>9</sup> / <sub>16</sub> X 76 <sup>5</sup> / <sub>8</sub>	22
S3-END1078	11 <sup>9</sup> / <sub>16</sub> X 76 <sup>5</sup> / <sub>8</sub>	23
S3-END1178	12 <sup>9</sup> / <sub>16</sub> X 76 <sup>5</sup> / <sub>8</sub>	24
S3-END1378	14 <sup>9</sup> / <sub>16</sub> X 76 <sup>5</sup> / <sub>8</sub>	26
S3-END1478HP	15 <sup>9</sup> / <sub>16</sub> X 76 <sup>5</sup> / <sub>8</sub>	27
S3-END1778	18 <sup>9</sup> / <sub>16</sub> X 76 <sup>5</sup> / <sub>8</sub>	31
S3-END0984	10 <sup>9</sup> / <sub>16</sub> X 82 <sup>5</sup> / <sub>8</sub>	24
S3-END1084	11 <sup>9</sup> / <sub>16</sub> X 82 <sup>5</sup> / <sub>8</sub>	24 <sup>1</sup> / <sub>2</sub>
S3-END1184	12 <sup>9</sup> / <sub>16</sub> X 82 <sup>5</sup> / <sub>8</sub>	25 <sup>1</sup> / <sub>2</sub>
S3-END1384	14 <sup>9</sup> / <sub>16</sub> X 82 <sup>5</sup> / <sub>8</sub>	27 <sup>1</sup> / <sub>2</sub>
S3-END1484HP	15 <sup>9</sup> / <sub>16</sub> X 82 <sup>5</sup> / <sub>8</sub>	28 <sup>1</sup> / <sub>2</sub>
S3-END1784	18 <sup>9</sup> / <sub>16</sub> X 82 <sup>5</sup> / <sub>8</sub>	33
S3-END0990	10 <sup>9</sup> / <sub>16</sub> X 88 <sup>5</sup> / <sub>8</sub>	25
S3-END1090	11 <sup>9</sup> / <sub>16</sub> X 88 <sup>5</sup> / <sub>8</sub>	26
S3-END1190	12 <sup>9</sup> / <sub>16</sub> X 88 <sup>5</sup> / <sub>8</sub>	27
S3-END1390	14 <sup>9</sup> / <sub>16</sub> X 88 <sup>5</sup> / <sub>8</sub>	29
S3-END1490HP	15 <sup>9</sup> / <sub>16</sub> X 88 <sup>5</sup> / <sub>8</sub>	30
S3-END1790	18 <sup>9</sup> / <sub>16</sub> X 88 <sup>5</sup> / <sub>8</sub>	36

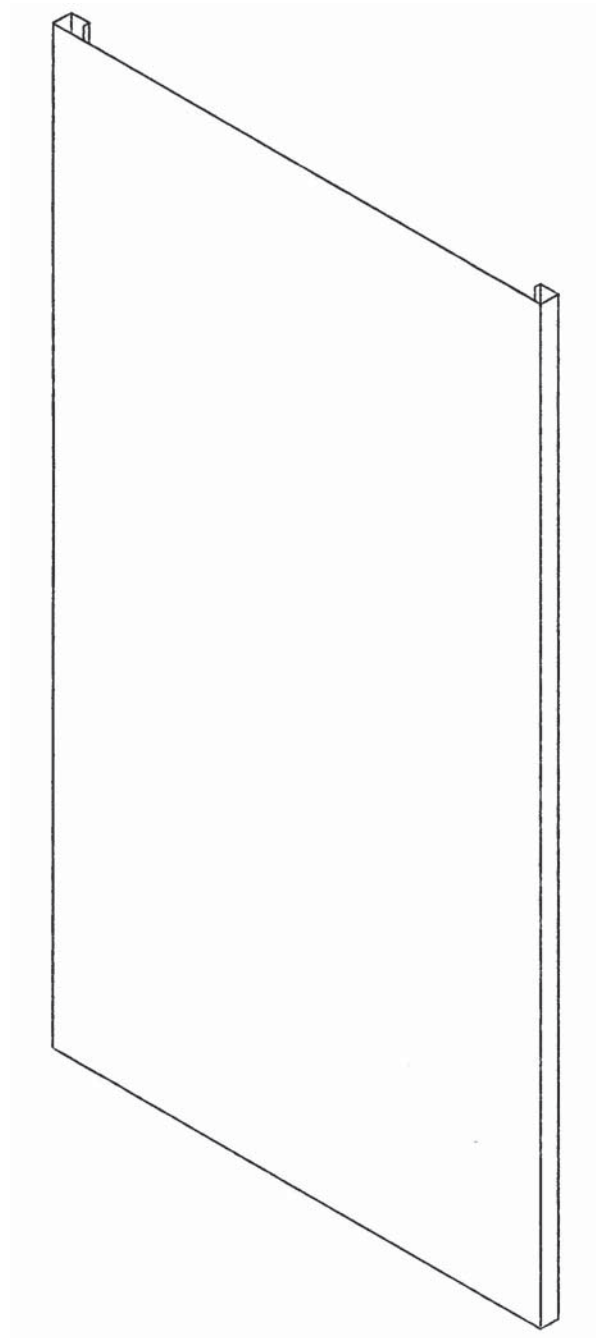
Each end panel will add 7/16" to the length of a range.  
Must specify left hand or right hand when ordering.

## Steel End Panels

### Double Faced

CATALOG NO.	SIZE	WEIGHT
S3-END1842	18½ x 40⅝	20
S3-END2042	20½ x 40⅝	21
S3-END2242	22½ x 40⅝	22
S3-END2642	26½ x 40⅝	24
S3-END2842HP	28½ x 40⅝	26
S3-END3442	34½ x 40⅝	31
S3-END1860	18½ x 58⅝	29
S3-END2060	20½ x 58⅝	30
S3-END2260	22½ x 58⅝	32
S3-END2660	26½ x 58⅝	35
S3-END2860HP	28½ x 58⅝	37
S3-END3460	34½ x 58⅝	42
S3-END1866	18½ x 64⅝	31
S3-END2066	20½ x 64⅝	32
S3-END2266	22½ x 64⅝	34
S3-END2666	26½ x 64⅝	37
S3-END2866HP	28½ x 64⅝	39
S3-END3466	34½ x 64⅝	44
S3-END1872	18½ x 70⅝	36
S3-END2072	20½ x 70⅝	37
S3-END2272	22½ x 70⅝	39
S3-END2672	26½ x 70⅝	42
S3-END2872HP	28½ x 70⅝	44
S3-END3472	34½ x 70⅝	49
S3-END1878	18½ x 76⅝	38
S3-END2078	20½ x 76⅝	39
S3-END2278	22½ x 76⅝	41
S3-END2678	26½ x 76⅝	44
S3-END2878HP	28½ x 76⅝	46
S3-END3478	34½ x 76⅝	51
S3-END1884	18½ x 82⅝	40
S3-END2084	20½ x 82⅝	41
S3-END2284	22½ x 82⅝	43
S3-END2684	26½ x 82⅝	47
S3-END2884HP	28½ x 82⅝	49
S3-END3484	34½ x 82⅝	54
S3-END1890	18½ x 88⅝	43
S3-END2090	20½ x 88⅝	44
S3-END2290	22½ x 88⅝	46
S3-END2690	26½ x 88⅝	51
S3-END2890HP	28½ x 88⅝	53
S3-END3490	34½ x 88⅝	58

Each end panel will add 7/16" to the length of a range.



# System 30®

## Brackets For Wood End Panels

CATALOG NO.	SIZE	WEIGHT
S3-WOODEPBKT-SF	SF	5
S3-WOODEPBKT-DF	DF	7

## Brackets For Wood Tops **Come in pairs**

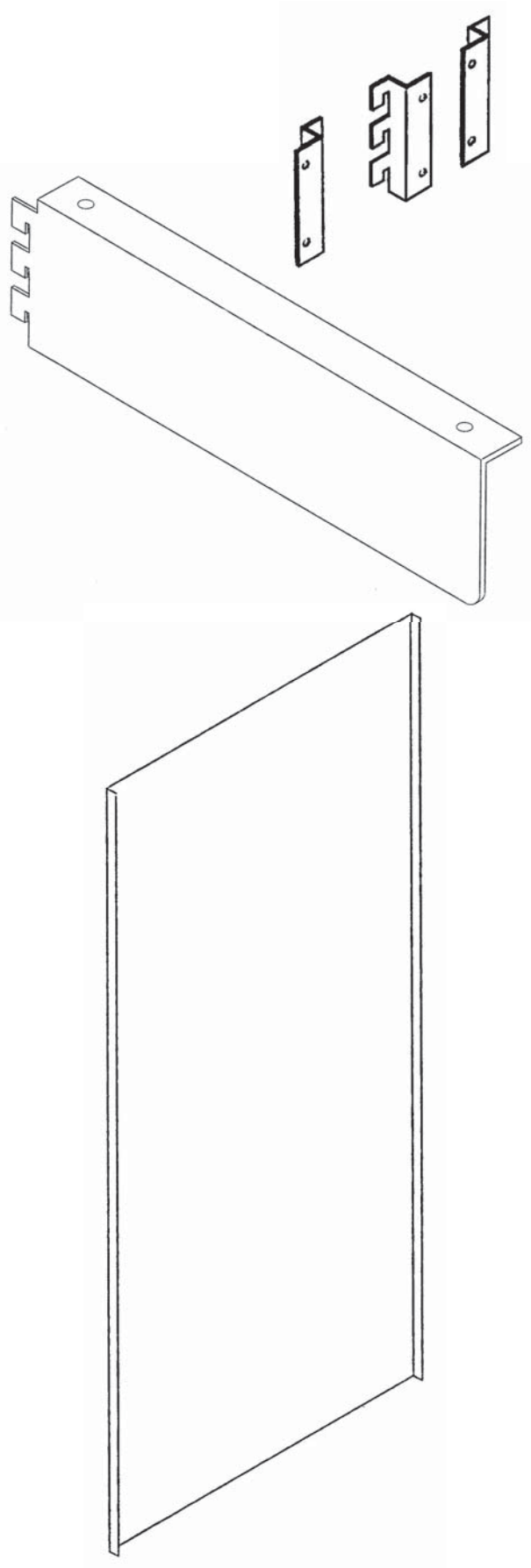
CATALOG NO.	SIZE	WEIGHT
S3-WOODBKT9	9	1½

This size is used on all depth units.

## Closed Backs

CATALOG NO.	SIZE	WEIGHT
S3-BACK3642	36 x 42	23
S3-BACK3660	36 x 60	35
S3-BACK3666	36 x 66	39
S3-BACK3672	36 x 72	42½
S3-BACK3678	36 x 78	45
S3-BACK3684	36 x 84	46½
S3-BACK3690	36 x 90	54

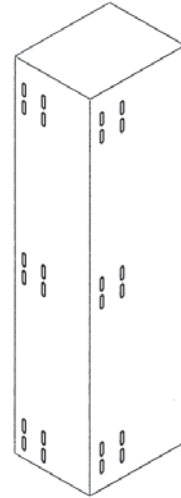
Closed backs fit between top and bottom cross bars.  
Actual height of closed back is 9¾" less than the nominal height of the unit.



## Corner Filler

CATALOG NO.	SIZE	WEIGHT
S3-CORNER	SPECIFY	78

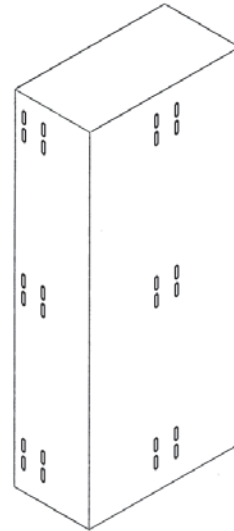
Filler comes complete with two sides and a top cap. Used in corner to fill in the space where two single faced units meet together.



## Intermediate Filler

CATALOG NO.	SIZE	WEIGHT
S3-INTER	SPECIFY	96

Filler comes with two sides, a front, and a top cap. Used where double faced units meet single faced units along a wall.

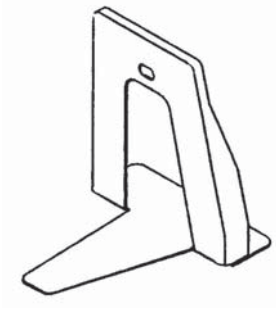


## Column Extender

CATALOG NO.	SIZE	WEIGHT
S3-CEXT12	12	4

Used to increase the height of a unit. Splice plate of extender is bolted to the column where the top cross bar was located. Top cross bar is then re-attached at the top of the extender. Wall anchors are not included.

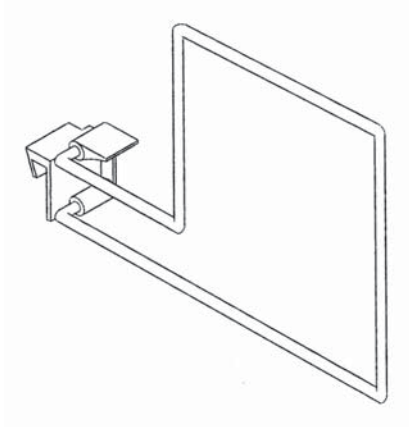




## Findable Book Support

CATALOG NO.	SIZE	WEIGHT
S3-FIND6	6	1
S3-FIND9	9	1½

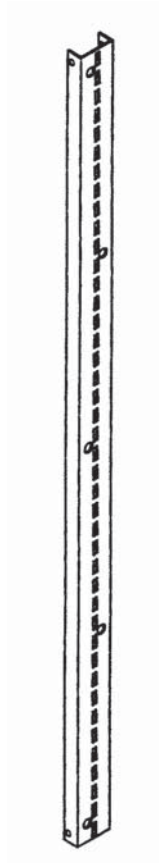
Cork available on above.  
Add the letter C to the end of the catalog number.  
May be used on flat or integral back shelves.



## Sliding Wire Book Support

CATALOG NO.	SIZE	WEIGHT
S3-SBS6	6 x 6¾	½
S3-SBS8	6 x 8¾	½

Used on Integral Back Shelves.



## Wall Column Strips

CATALOG NO.	SIZE	WEIGHT
S3-COL42	1⅜ x 42	3
S3-COL60	1⅜ x 60	5
S3-COL66	1⅜ x 66	5½
S3-COL72	1⅜ x 72	6
S3-COL78	1⅜ x 78	6½
S3-COL84	1⅜ x 84	7
S3-COL90	1⅜ x 90	8

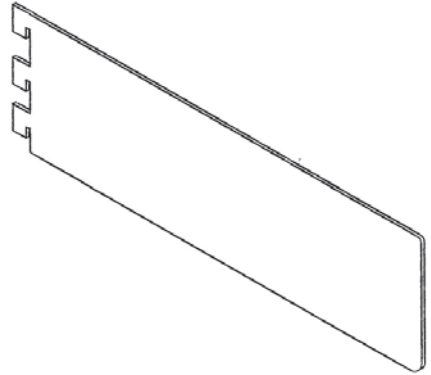
Two column strips are used for each starter section and one for each adder section. Ideal for areas above desks or where baseboard heating interferes with placing a closed base unit against the wall.

# System 30<sup>®</sup>

## Flat End Brackets 3" High

### Single Bracket

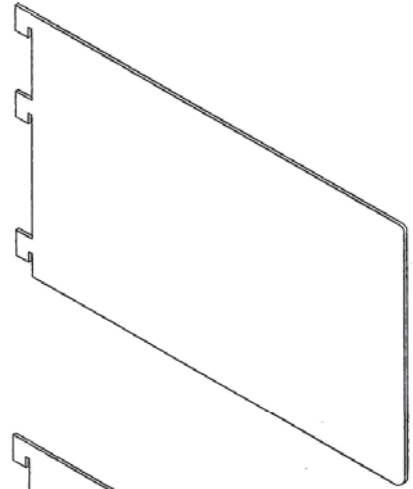
CATALOG NO.	SIZE	WEIGHT
S3-SFEB09-3	9	3/4
S3-SFEB10-3	10	3/4
S3-SFEB11-3	11	1
S3-SFEB13-3	13	1
S3-SFEB17-3	17	1 1/4



## Flat End Brackets 6" High

### Single Bracket

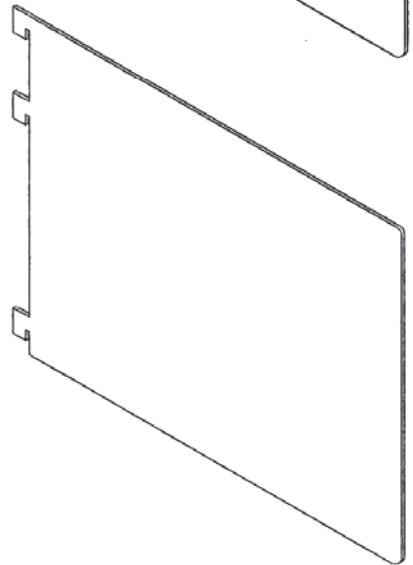
CATALOG NO.	SIZE	WEIGHT
S3-SFEB09-6	9	1
S3-SFEB10-6	10	1 1/4
S3-SFEB11-6	11	1 1/4
S3-SFEB13-6	13	1 1/2
S3-SFEB17-6	17	2



## Flat End Brackets 8" High

### Single Bracket

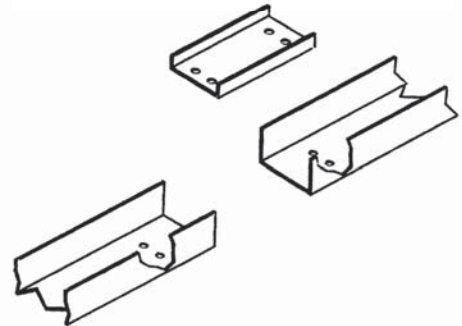
CATALOG NO.	SIZE	WEIGHT
S3-SFEB09-8	9	1 1/4
S3-SFEB10-8	10	1 1/2
S3-SFEB11-8	11	1 1/2
S3-SFEB13-8	13	1 3/4
S3-SFEB14-8-HP	14	2
S3-SFEB17-8	17	2 1/4



## Top Tie Strut

CATALOG NO.	SIZE	WEIGHT
S3-STRUT96	96	6

Fasten with tek screws to cross bar. Tek screws not included.



## Terms and Conditions

### PRICES

All prices printed herein supersede all previous prices and are subject to change without notice. These prices are F.O.B. origin, Aurora, Illinois, exclude freight and are subject to an additional charge for special color, special packaging, states' sales or consumer taxes as required. One order constitutes one color with only one delivery address.

### SALES POLICY

Possession of this price list does not constitute authority to purchase and/or sell products contained within. Aurora Storage Products has the right to refuse any purchase order.

### GLOSS-TEK COLORS AND WOOD-TEK

Aurora Storage Products are coated in Gloss-Tek™ an eco-friendly, non-emissive textured powder coat. There are 31 standard colors; custom colors are available and are subject to longer lead time and an additional charge. A metal color chip of the special color is necessary for paint matching.

*NOTE:* Even with metal sample matching, shading and gloss can vary. Be careful when matching new equipment to product of the same color that has been in the field for several years. Products closely exposed to fluorescent lighting or sunlight can fade. If a perfect match is required, forward a sample to Customer Service.

### WOOD-TEK PRODUCT

Orders of non-standard Wood-Tek stain and wood species require a stain match and approval. Special caution must be given to matching new product to product which has been in the field for several years. Product exposed to sunlight or fluorescent lighting can fade or darken. Aurora Storage Products will not guarantee or be responsible for the character of wood including natural variations in color, grain, and texture, and may differ slightly from sample.

### TERMS OF PAYMENT

Net 30 days from date of invoice. We accept Visa and Master Card.

### WEIGHTS

Weights are not intended to be used for structural load bearing calculations. Shipping weights can be obtained from Quik-Quote or by consulting Aurora Customer Service.

### SPECIFICATIONS

Subject to change without notice.

### DISCONTINUED ITEMS

We reserve the right, without notice, to discontinue the manufacture and sale of any items printed herein.

### FREIGHT POLICY

Aurora Storage Products offers multiple freight options. Aurora Storage Products ship as Class 70, F.O.B., Aurora, IL 60506. Other freight options include:

- Third Party, F.O.B. point of destination
- Collect, F.O.B. point of destination
- Prepaid and add, F.O.B. point of origin
- UPS shipments will ship prepaid and add actual cost.
- PRIME Program (Positive Rate Information and Management Equalizer) is a very competitive freight program that allows Aurora Storage Products to pass full freight discounts directly to all Authorized Aurora Product Dealers.

Normal delivery is dock-to-dock. Special requests such as inside delivery, lift gate service, residential delivery, etc. are subject to additional charges. All accessorial charges not requested on purchase order will be the responsibility of the consignee.

Delivery date and time are at the discretion of the carrier within reasonable transit time unless special arrangements have been made between the customer and Aurora Storage Products.

**Customer routed shipments and pick-ups must be picked up from Aurora Storage Products within 48 hours of notification that the shipment is ready or Aurora Storage Products will ship prepaid and add.**

### TITLE TO MERCHANDISE

Title to merchandise shall pass to the buyer upon delivery by Aurora Storage Products to the carrier on FOB Factory. Buyer acknowledges that once Aurora Storage Products delivers goods to the carrier, title to the goods and risk of loss will pass to the buyer. If the goods are damaged by the carrier while in transit, the buyer has the sole obligation of seeking recourse from the carrier. If the goods are lost by the carrier, buyer may at their option either:

- 1) File a freight claim with carrier.
- 2) Place a new purchase order with Aurora Storage Products.

### ORDER CHANGES

Any changes to an order after 5 days of the date of the first order acknowledgement are subject to a change order fee of \$100 for every change.

At the discretion of Aurora Storage Products any changes to orders after receipt of an order acknowledgement are assigned a new delivery date regardless of the lead time quoted.

### CANCELLATION CHARGES

If customer cancels an order after 5 days of the date of the first order acknowledgement, customer shall be subject to a charge of 20% percent of the net amount of the order.

### SPECIAL ITEM CHANGES OR CANCELLATIONS

Non-standard, specially designed product, or purchased items such as Quik-Roll™ or laminates may not be changed, cancelled, or returned for credit. Aurora Storage Products reserves the right to determine what products are special.

### DAMAGE IN TRANSIT

*CAUTION:* When you give the delivering carrier a clear receipt for a shipment in which there is damaged merchandise or a shortage, the carrier and Aurora Storage Products are relieved of further responsibility.

All packaging is in accordance with carrier requirements.

For your protection, before accepting any shipment, examine it carefully. If there is evidence of damage or a shortage, insist that the delivering carrier make suitable notation to that effect on the freight bill before you sign it.

If, after receipt of shipment, concealed damage is discovered, immediately **notify the delivering carrier**, requesting immediate inspection. The inspection report should be used to support your claim against the carrier. *NOTE:* Carriers require notification of concealed damage within 24 hours of delivery. Aurora Storage Products also needs to be notified of any concealed damage claims.

Any claim for damage or shortage on non-PRIME carrier shipments must be noted by you with the non-PRIME delivering carrier. Aurora Storage Products will not accept the return of merchandise damaged in transit. Your recourse is with the delivering carrier. Freight claim filing is the responsibility of the consignee and not Aurora Storage Products unless a PRIME carrier is used for the shipment.

### SHIPMENT SHORTAGE CLAIMS

Shortage claims reported after 15 days beyond the shipment date will not be honored.

### RETURN GOODS POLICY

1. Requests in writing for Return Goods Authorization must be made to the Aurora Storage Products Customer Service Department within 21 days of the shipment from Aurora Storage Products.
2. Aurora Storage Products will determine the eligibility to return any material and will notify the requester within 5 days upon receipt of written request. Aurora Storage Products will also instruct the requester to return the material to Aurora Storage Products or dispose of such before the issuance of the appropriate credit.
3. Special items and items not manufactured by Aurora Storage Products (purchased) will not be eligible for return.
4. Any material returned to Aurora Storage Products or disposed of without the proper authorization by Aurora Storage Products will be refused and no credit will be issued.
5. Returned goods must be shipped freight prepaid at the requester's expense within 30 days of receipt of written authorization. The requester must determine the carrier. If the RGA is due to a Aurora Storage Products error, freight can ship collect via PRIME carrier.
6. All material returned must be received in original packaging. Credit will be given on returned resalable material, only after receipt and inspection by Aurora Storage Products. All returned material must be accompanied by the Return Goods Authorization form. Credit for authorized returns are subject to a 25% restocking charge on the net acceptable material value.
7. Total value of returned material must exceed \$200.00 net.

### SPECIAL PACKAGING

All material will be shipped in standard pack quantities unless otherwise specified on the purchase order. Where special requests are made for packaging that differs from the standard pack containment, customer bears full responsibility for the cost of such packaging as well as the condition of the product. Aurora Storage Products shall in no way be held responsible for improper packaging or damage in transit.

Aurora Storage Products reserves the right to change or modify packaging or package quantities without notice.

If customer requests that skidding be utilized, the customer shall bear the cost of the skids. At times it may be necessary to consider special crating. Consult the factory for crating charges.

### PRODUCT ASSEMBLY

Aurora Storage Products are shipped "KD" (unassembled) and assembly is required at the job site. Consult appropriate installation manual.



FOURTH FLOOR - NEW YORK  
THE NEW YORK PUBLIC LIBRARY  
ASTOR LENOX TILDEN FOUNDATION  
100th Street at 5th Avenue, New York, NY 10028

BEING GOOD  
STRESS MANAGEMENT  
TAL MO  
CHANGING BEHAVIOR

RELEASING  
LIFE BLESSINGS  
CLINICAL SPEAKING  
Stress Management  
Stress Management  
Stress Management

THE NEW YORK PUBLIC LIBRARY  
ASTOR LENOX TILDEN FOUNDATION  
100th Street at 5th Avenue, New York, NY 10028

THE NEW YORK PUBLIC LIBRARY  
ASTOR LENOX TILDEN FOUNDATION  
100th Street at 5th Avenue, New York, NY 10028

THE NEW YORK PUBLIC LIBRARY  
ASTOR LENOX TILDEN FOUNDATION  
100th Street at 5th Avenue, New York, NY 10028



Toll Free: 1-800-277-1699

MJ Library Shelving by



Tel: 800-277-1699  
Fax: 630-897-6994  
E-mail: [mail@aurorastorage.com](mailto:mail@aurorastorage.com)  
Web Site: [www.aurorastorage.com/mjlibrary](http://www.aurorastorage.com/mjlibrary)  
600 South Lake Street, Aurora, IL 60506  
©2018 MJ Library Shelving by Aurora. All rights reserved.